

Vacuum blower

SB 90 330 1.5 IE3-TYP3

Part no.: 10.04.01.00088

<https://www.schmalz.com/10.04.01.00088>



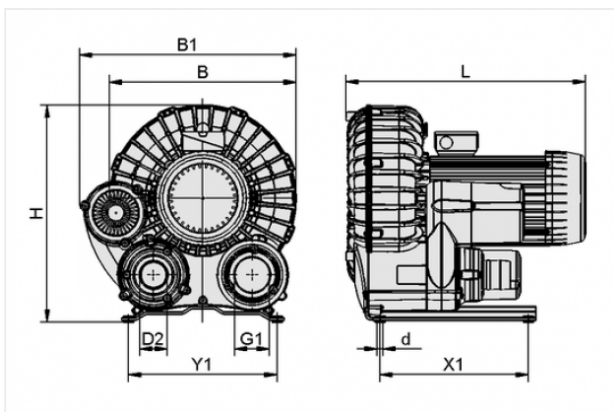
Homepage > Vacuum Technology for Automation > Vacuum Components > Vacuum Generators > Vacuum Blowers > Vacuum Blowers SB > SB 90 330 1.5 IE3-TYP3

Vacuum Blower for high suction rate



Suction rate (50 Hz): 90 m³/h
Suction rate (60 Hz): 110 m³/h
Vacuum (50Hz): 330 mbar
Vacuum (60Hz): 350 mbar
Rated power (50 Hz): 1.5 kW
Rated power (60 Hz): 1.8 kW
Construction: IE3:JPN/KOR/BRA
Noise level (50 Hz): 63.7 dB
Voltage (50 Hz): D200V/Y350V ±10 %
Voltage (60 Hz): D220V/Y380-400V ±10%
Permission: IE3
Weight: 28.5 kg

Design Data



Attribute	Value
-----------	-------

B	306 mm
B1	316.7 mm
d	10.2 mm
D2	59 mm
G1	G1-1/2"-F
H	357 mm
L	431 mm
X1	240 mm
Y1	240 mm

Contact to Schmalz

J. Schmalz GmbH | Johannes-Schmalz-Straße, 72293 Glatten, Deutschland | +49 7443 2403-102 | customercenter@schmalz.de

Technical Data

Attribute	Value
Suction rate (50 Hz)	90 m ³ /h
Suction rate (50 Hz)	1,499.9 l/min
Suction rate (60 Hz)	110 m ³ /h
Suction rate (60 Hz)	1,833.3 l/min
Vacuum (50Hz)	330 mbar
Vacuum (60Hz)	350 mbar
Protection	IP 55
Rated power (50 Hz)	1.5 kW
Rated power (60 Hz)	1.8 kW
Noise level (50 Hz)	63.7 dB
Noise level (60 Hz)	68.4 dB
Weight	28.5 kg

Accessories



STF 60 P 4.5 SSD

Part no. 10.07.01.00259

Dust filter

Connection: Ø60mm

Shape: Piclon housing

Nominal flow rate: 270 m³/h

Filter pore size: 3 µm

Additional equipment: Hose clamps SSD