

Dust filter

STF 60 P 4.5 SSD

Part no.: 10.07.01.00259

<https://www.schmalz.com/10.07.01.00259>



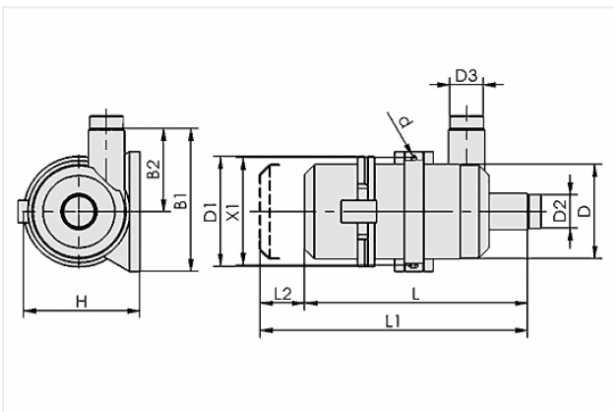
Homepage > Vacuum Technology for Automation > Vacuum Components > Filters and Connections > Vacuum Filters > Vacuum Filters VF / STF / STF-D > STF 60 P 4.5 SSD

Dust filter



Connection: Ø60mm
Shape: Piclon housing
Nominal flow rate: 270 m³/h
Filter pore size: 3 µm
Additional equipment: Hose clamps SSD

Design Data



Attribute	Value
-----------	-------

B1	221 mm
----	--------

B2	112 mm
----	--------

d	8.5 mm
---	--------

D	170 mm
---	--------

D1	198 mm
----	--------

D2	60 mm
----	-------

D3	60 mm
----	-------

H	218 mm
---	--------

L	355 mm
---	--------

L1	658 mm
----	--------

L2	303 mm
----	--------

X1	192 mm
----	--------

Contact to Schmalz

J. Schmalz GmbH | Johannes-Schmalz-Straße, 72293 Glatten, Deutschland | +49 7443 2403-102 | customercenter@schmalz.de

Technical Data

Attribute	Value
Connection	Ø60mm
Nominal flow rate	270 m ³ /h
Nominal flow rate	4500 l/min
Vacuum (max)	-500 mbar
Filter pore size	3 µm
Weight	2 kg

Spare Parts



SSD 60-68 ST-VZ

Part no. 10.07.10.00017

Hose clamp for securing wire-reinforced hoses

Clamping range: 60.0 ... 68.0 mm

Material: Steel

Surface: galvanised



FILT-EINS 3 124x320 PAP STF-Picl-4.5

Part no. 10.07.01.00060

Filter insert (round)

Filter pore size: 3 µm

External diameter D: 124 mm

Length L: 320 mm

Filter material: Paper

for: Filters STF

Size: Picl-4.5

Contact to Schmalz