

Vacuum blower

SB 130 125 0.75 IE3-TYP3

<https://www.schmalz.com/10.04.01.00067>



Part no.: 10.04.01.00067

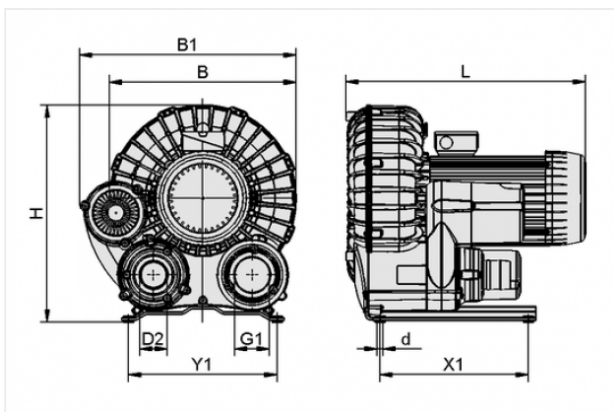
Homepage > Vacuum Technology for Automation > Vacuum Components > Vacuum Generators > Vacuum Blowers > Vacuum Blowers SB > SB 130 125 0.75 IE3-TYP3

Vacuum Blower for high suction rate



Suction rate (50 Hz): 130 m³/h
Suction rate (60 Hz): 160 m³/h
Vacuum (50Hz): 125 mbar
Vacuum (60Hz): 115 mbar
Rated power (50 Hz): 0.75 kW
Rated power (60 Hz): 0.9 kW
Construction: IE3:JPN/KOR/BRA
Noise level (50 Hz): 56.8 dB
Voltage (50 Hz): D200V/Y350V ±10 %
Voltage (60 Hz): D220V/Y380-400V ±10%
Permission: IE3
Weight: 21.7 kg

Design Data



Attribute	Value
B	264 mm
B1	295.3 mm
d	10.2 mm
D2	40 mm
G1	G1-1/2"-F
H	309 mm
L	387 mm
X1	240 mm
Y1	240 mm

Contact to Schmalz

J. Schmalz GmbH | Johannes-Schmalz-Straße, 72293 Glatten, Deutschland | +49 7443 2403-102 | customercenter@schmalz.de

Technical Data

Attribute	Value
Suction rate (50 Hz)	130 m ³ /h
Suction rate (50 Hz)	2,166.6 l/min
Suction rate (60 Hz)	160 m ³ /h
Suction rate (60 Hz)	2,666.6 l/min
Vacuum (50Hz)	125 mbar
Vacuum (60Hz)	115 mbar
Protection	IP 55
Rated power (50 Hz)	0.75 kW
Rated power (60 Hz)	0.9 kW
Noise level (50 Hz)	56.8 dB
Noise level (60 Hz)	61.7 dB
Weight	21.7 kg
