

Dust filter

STF G1-1/4-IG N

Part no.: 10.07.01.00008

<https://www.schmalz.com/10.07.01.00008>



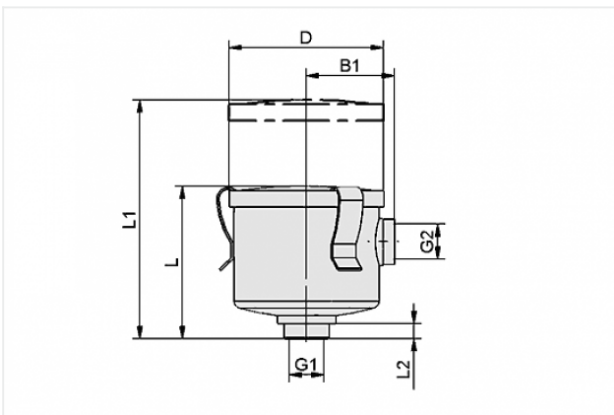
Homepage > Vacuum Technology for Automation > Vacuum Components > Filters and Connections > Vacuum Filters > Vacuum Filters VF / STF / STF-D > STF G1-1/4-IG N

Dust filter



Connection: G1-1/4-F
Shape: Steel housing
Nominal flow rate: 96 m³/h
Filter pore size: 3 µm

Design Data



Attribute	Value
-----------	-------

B1	81 mm
----	-------

D	136 mm
---	--------

G1	G1-1/4"-F
----	-----------

G2	G1-1/4"-F
----	-----------

L	116 mm
---	--------

L1	191 mm
----	--------

L2	17 mm
----	-------

Technical Data

Attribute	Value
-----------	-------

Connection	G1-1/4"-F
------------	-----------

Contact to Schmalz

J. Schmalz GmbH | Johannes-Schmalz-Straße, 72293 Glatten, Deutschland | +49 7443 2403-102 | customercenter@schmalz.de

Attribute	Value
Nominal flow rate	96 m ³ /h
Nominal flow rate	1600 l/min
Vacuum (max)	-950 mbar
Filter pore size	3 µm
Weight	1 kg

Spare Parts



FILT-EINS 3 98x70 PAP STF-1-1/4-IGN

Part no. 10.07.01.00018

Filter insert (round)

Filter pore size: 3 µm

External diameter D: 98 mm

Length L: 70 mm

Filter material: Paper

for: Filters STF

Size: 1-1/4-IGN