

Vacuum blower

SB 75 105 0.37 IE1

Part no.: 10.04.01.00065

<https://www.schmalz.com/10.04.01.00065>



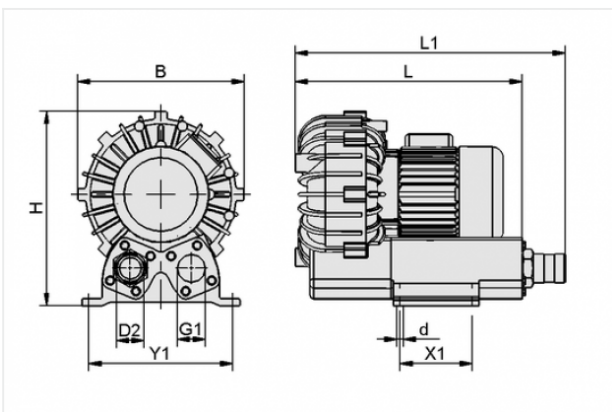
Homepage > Vacuum Technology for Automation > Vacuum Components > Vacuum Generators > Vacuum Blowers > Vacuum Blowers SB > SB 75 105 0.37 IE1

Vacuum Blower for high suction rate



Suction rate (50 Hz): 75 m³/h
Suction rate (60 Hz): 91 m³/h
Vacuum (50Hz): 105 mbar
Vacuum (60Hz): 80 mbar
Rated power (50 Hz): 0.37 kW
Rated power (60 Hz): 0.44 kW
Construction: IE1
Noise level (50 Hz): 62 dB
Voltage (50 Hz): 310-460/180-265V
Voltage (60 Hz): 370-530/215-310V
Permission: IE1
Weight: 13 kg

Design Data



Attribute	Value
-----------	-------

B	232 mm
---	--------

d	9 mm
---	------

D2	38 mm
----	-------

G1	G1-1/4"-F
----	-----------

H	271 mm
---	--------

L	316.4 mm
---	----------

L1	376.4 mm
----	----------

X1	100 mm
----	--------

Y1	200 mm
----	--------

Contact to Schmalz

J. Schmalz GmbH | Johannes-Schmalz-Straße, 72293 Glatten, Deutschland | +49 7443 2403-102 | customercenter@schmalz.de

Technical Data

Attribute	Value
Suction rate (50 Hz)	75 m ³ /h
Suction rate (50 Hz)	1,249.9 l/min
Suction rate (60 Hz)	91 m ³ /h
Suction rate (60 Hz)	1,516.6 l/min
Vacuum (50Hz)	105 mbar
Vacuum (60Hz)	80 mbar
Protection	IP 55
Rated power (50 Hz)	0.37 kW
Rated power (60 Hz)	0.44 kW
Noise level (50 Hz)	62 dB
Noise level (60 Hz)	63 dB
Weight	13 kg

Accessories



STF G1-1/4-IG N

Part no. 10.07.01.00008

Dust filter

Connection: G1-1/4-F

Shape: Steel housing

Nominal flow rate: 96 m³/h

Filter pore size: 3 µm