

# Vacuum pump EVE-OG 25 AC3

Part no.: 10.03.02.00084

<https://www.schmalz.com/10.03.02.00084>



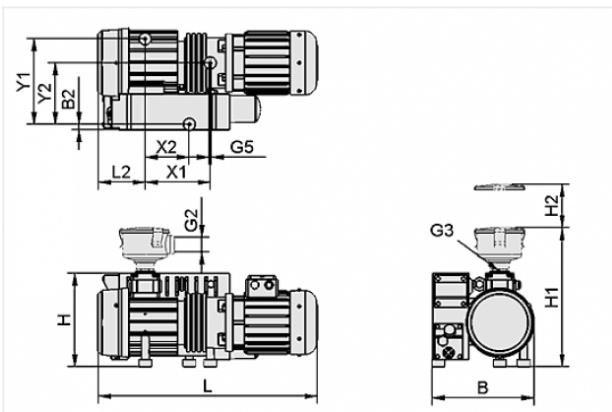
Homepage > Vacuum Technology for Automation > Vacuum Components > Vacuum Generators > Vacuum Pumps > Oil-Lubricated Vacuum Pumps EVE-OG > EVE-OG 25 AC3

## Oil-lubricated pump for maximum vacuum levels, requires little maintenance



Current type: 3-phase AC  
Noise level (50 Hz): 60 dB  
Voltage (50 Hz): 230/400V AC  
Voltage (60 Hz): 230/400V AC  
Suction rate (50 Hz): 25 m<sup>3</sup>/h  
Suction rate (60 Hz): 30 m<sup>3</sup>/h  
Rated power (50 Hz): 0.75 kW  
Weight: 34 kg

### Design Data



Attribute	Value
-----------	-------

B	284 mm
---	--------

B2	17 mm
----	-------

G3	G1-1/4"-F
----	-----------

G5	M8-F
----	------

H	260 mm
---	--------

L	568 mm
---	--------

L2	131 mm
----	--------

X1	159 mm
----	--------

X2	120 mm
----	--------

Y1	238 mm
----	--------

Y2	171 mm
----	--------

### Contact to Schmalz

J. Schmalz GmbH | Johannes-Schmalz-Straße, 72293 Glatten, Deutschland | +49 7443 2403-102 | [customercenter@schmalz.de](mailto:customercenter@schmalz.de)

## Technical Data

Attribute	Value
Vacuum (max)	-980 mbar
Vacuum (max)	-28.939 inHg
Suction rate (50 Hz)	25 m <sup>3</sup> /h
Voltage (50 Hz)	230/400V AC
Rated power (50 Hz)	0.75 kW
Noise level (50 Hz)	60 dB
Weight	34 kg
Protection	IP 54
Current type	AC3

## Spare Parts



### **FILT-EINS 3 65x70 PAP STF-3/4-IG**

Part no. 10.07.01.00017

Filter insert (round)

Filter pore size: 3 µm

External diameter D: 65 mm

Length L: 70 mm

Filter material: Paper

for: Filters STF

Size: 3/4-IG



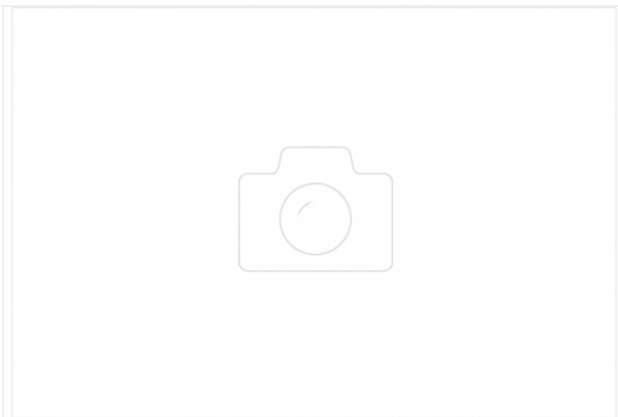
#### **VST EVE-OG-10-16C**

Part no. 10.03.02.00075

Set of parts subject to wear pump

for: Pump\_EVE-OG

Size: 10-16C



#### **OEL EVE-OG 1L ANDEROL 555**

Part no. 27.02.01.00055

Oil

for: Pump\_EVE-OG

Volume: 1 l

### **Accessories**



#### **DRM 40 P1 H**

Part no. 10.07.02.00050

Pressure manometer for analogue measurement and monitoring of the pressure

External diameter D: 40 mm

Measuring range: 0.0 ... 1.0 bar

Shape: Connection at rear

Pressure inlet: G3/4-M



**MSS-K 2.5-4A**

Part no. 10.04.04.00120

Motor-protection switch with housing

Current range: 2.5 ... 4.0 A

Actuation: Rotary switch

Colour: grey

Protection: IP 65



**VST EVE-OG-10-16C**

Part no. 10.03.02.00075

Set of parts subject to wear pump

for: Pump\_EVE-OG

Size: 10-16C