

Vacuum pump EVE-OG 16 AC3

Part no.: 10.03.02.00047

<https://www.schmalz.com/10.03.02.00047>



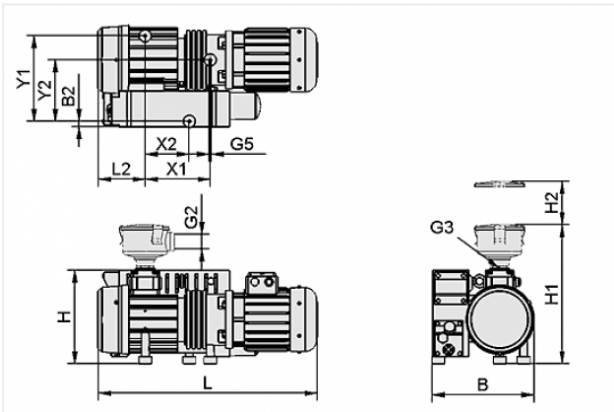
Homepage > Vacuum Technology for Automation > Vacuum Components > Vacuum Generators > Vacuum Pumps > Oil-Lubricated Vacuum Pumps EVE-OG > EVE-OG 16 AC3

Oil-lubricated pump for maximum vacuum levels, requires little maintenance



Current type: 3-phase AC
Noise level: 53 dB
Voltage (50Hz): 230/400V AC
Suction rate (50Hz): 16 m³/h
Rated power (50Hz): 0.55 kW
Weight: 19 kg

Design Data



Attribute	Value
-----------	-------

B	212 mm
---	--------

B2	26 mm
----	-------

G3	G3/4"-F
----	---------

G5	M8-F
----	------

H	234 mm
---	--------

L	422 mm
---	--------

L2	63 mm
----	-------

X1	176 mm
----	--------

Y1	111 mm
----	--------

Contact to Schmalz

J. Schmalz GmbH | Johannes-Schmalz-Straße, 72293 Glatten, Deutschland | +49 7443 2403-102 | customercenter@schmalz.de

Technical Data

Attribute	Value
Vacuum (max)	-980 mbar
Vacuum (max)	-28.939 inHg
Suction rate (50 Hz)	16 m ³ /h
Voltage (50 Hz)	230/400V AC
Rated power (50 Hz)	0.55 kW
Noise level (50 Hz)	53 dB
Weight	19 kg
Protection	IP 54
Current type	AC3

Spare Parts



FILT-EINS 3 65x70 PAP STF-3/4-IG

Part no. 10.07.01.00017

Filter insert (round)

Filter pore size: 3 µm

External diameter D: 65 mm

Length L: 70 mm

Filter material: Paper

for: Filters STF

Size: 3/4-IG



OEL EVE-OG 1L ANDEROL 555

Part no. 27.02.01.00055

Oil

for: Pump_EVE-OG

Volume: 1 l



VST EVE-OG-10-16C

Part no. 10.03.02.00075

Set of parts subject to wear pump

for: Pump_EVE-OG

Size: 10-16C

Accessories



DRM 40 P1 H

Part no. 10.07.02.00050

Pressure manometer for analogue measurement and monitoring of the pressure

External diameter D: 40 mm

Measuring range: 0.0 ... 1.0 bar

Shape: Connection at rear

Pressure inlet: G3/4-M



MSS-K 1.6-2.5A

Part no. 10.04.04.00119

Motor-protection switch with housing

Current range: 1.6 ... 2.5 A

Actuation: Rotary switch

Colour: grey

Protection: IP 65