

Vacuum pump EVE-TR 250 AC3 F

Part no.: 10.03.01.00268

<https://www.schmalz.com/10.03.01.00268>



Homepage > Vacuum Technology for Automation > Vacuum Components > Vacuum Generators > Vacuum Pumps > Dry-Running Vacuum Pumps

EVE-TR > EVE-TR 250 AC3 F

Oil-free pump with constant suction rate, robust, requires little maintenance



Voltage (60 Hz): YY230/Y460V $\pm 10\%$

Voltage (60 Hz-opt):

YY208 $\pm 10\%$ (w/o IE2)

with: Filter

Suction rate (50 Hz): 244 m³/h

Suction rate (60 Hz): 286 m³/h

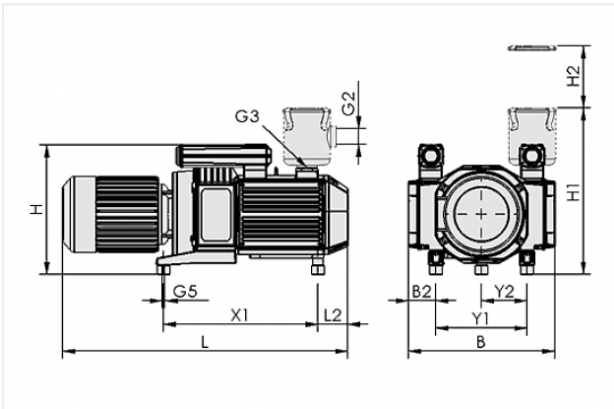
Vacuum (50Hz): -800 mbar

Permission: IE2/UL/CSA

Rated power (60 Hz): 6.6 kW

Weight: 222 kg

Design Data



Attribute	Value
-----------	-------

B	644 mm
---	--------

B2	116 mm
----	--------

G3	G2-1/2"-F
----	-----------

G5	M10-F
----	-------

H	530 mm
---	--------

L	1059 mm
---	---------

L2	123.8 mm
----	----------

X1	645 mm
----	--------

Y1	380 mm
----	--------

Y2	190 mm
----	--------

Contact to Schmalz

J. Schmalz GmbH | Johannes-Schmalz-Straße, 72293 Glatten, Deutschland | +49 7443 2403-102 | customercenter@schmalz.de

Technical Data

Attribute	Value
Suction rate (50 Hz)	244 m³/h
Suction rate (60 Hz)	286 m³/h
Voltage (60 Hz)	YY230/Y460V ±10%
Rated power (60 Hz)	6.6 kW
Current type	AC3
Weight	222 kg
Protection	IP 55

Spare Parts



VST EVE-TR-250

Part no. 10.03.01.00299

Set of parts subject to wear pump
for: Pump EVE-TR

Size: 250

contains: Brush slide/Filter