

Vacuum pump

EVE-TR 140 AC3/S068 F IE2/UL/CSA

Part no.: 10.03.01.00265

<https://www.schmalz.com/10.03.01.00265>



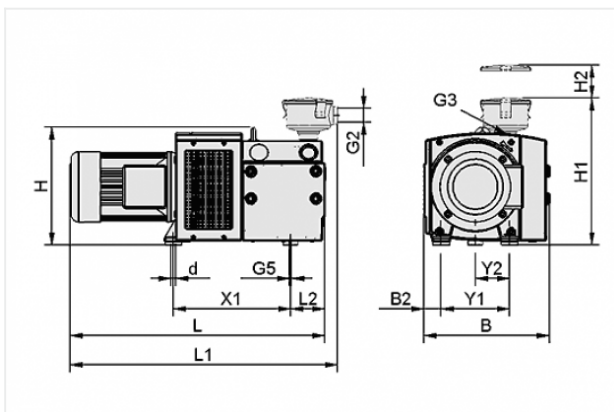
Homepage > Vacuum Technology for Automation > Vacuum Components > Vacuum Generators > Vacuum Pumps > Dry-Running Vacuum Pumps
EVE-TR > EVE-TR 140 AC3/S068 F IE2/UL/CSA

Oil-free pump with constant suction rate, robust, requires little maintenance



Current type: 3-phase AC
Voltage (60 Hz): YY230/Y460V $\pm 10\%$
Voltage (60 Hz-opt):
YY208 $\pm 10\%$ (w/o IE2)
with: Filter
Suction rate (50 Hz): 129 m³/h
Suction rate (60 Hz): 154 m³/h
Vacuum (50Hz): -800 mbar
Permission: IE2/UL/CSA
Rated power (60 Hz): 4.8 kW
Weight: 109.5 kg

Design Data



Attribute	Value
-----------	-------

B	470 mm
B2	110 mm
d	12 mm
G2	G1-1/4"-F
G3	G1-1/2"-F
G5	M8-F
H	336 mm
H1	437 mm
H2	75 mm
L	873 mm
L1	851 mm

Contact to Schmalz

J. Schmalz GmbH | Johannes-Schmalz-Straße, 72293 Glatten, Deutschland | +49 7443 2403-102 |
customercenter@schmalz.de



Attribute	Value
L2	140 mm
X1	398 mm
Y1	245 mm
Y2	122.5 mm

Technical Data

Attribute	Value
Suction rate (50 Hz)	129 m ³ /h
Suction rate (60 Hz)	154 m ³ /h
Voltage (60 Hz)	YY230/Y460V ±10%
Rated power (60 Hz)	4.8 kW
Current type	AC3
Weight	109.5 kg
Protection	IP 55

Contact to Schmalz