

Vacuum pump

EVE-TR 140 AC3/S072 IE2

<https://www.schmalz.com/10.03.01.00261>



Part no.: 10.03.01.00261

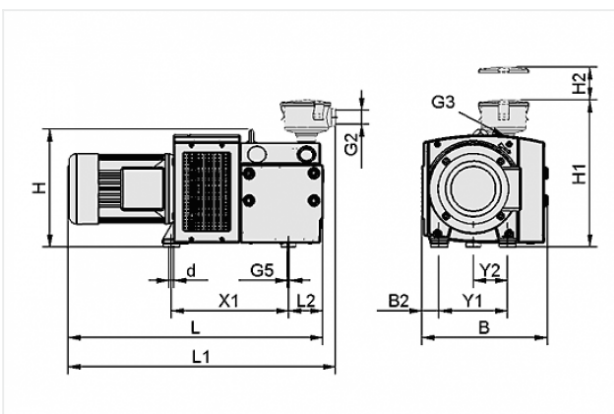
Homepage > Vacuum Technology for Automation > Vacuum Components > Vacuum Generators > Vacuum Pumps > Dry-Running Vacuum Pumps
EVE-TR > EVE-TR 140 AC3/S072 IE2

Oil-free pump with constant suction rate, robust, requires little maintenance



Current type: 3-phase AC
 Noise level (50 Hz): 76 dB
 Voltage (50 Hz): D230V/Y400V ±10%
 Voltage (60 Hz): D265V/Y460V ±10%
 Voltage (60 Hz-opt):
 D230/Y400V ±10% (o. IE2)
 Suction rate (50 Hz): 129 m³/h
 Suction rate (60 Hz): 154 m³/h
 Vacuum (50Hz): -900 mbar
 Permission: IE2
 Rated power (50 Hz): 4 kW
 Rated power (60 Hz): 4.8 kW
 Weight: 111 kg

Design Data



Attribute	Value
B	470 mm
B2	110 mm
d	12 mm
G3	G1-1/2"-F
G5	M8-F
H	336 mm
L	873 mm
L2	140 mm
X1	398 mm
Y1	245 mm

Contact to Schmalz

J. Schmalz GmbH | Johannes-Schmalz-Straße, 72293 Glatten, Deutschland | +49 7443 2403-102 | customercenter@schmalz.de

Attribute	Value
Y2	122.5 mm

Technical Data

Attribute	Value
Suction rate (50 Hz)	129 m ³ /h
Suction rate (60 Hz)	154 m ³ /h
Voltage (50 Hz)	D230V/Y400V ±10%
Voltage (60 Hz)	D265V/Y460V ±10%
Rated power (50 Hz)	4 kW
Rated power (60 Hz)	4.8 kW
Current type	AC3
Noise level (50 Hz)	76 dB
Weight	111 kg
Protection	IP 55
