

# Vacuum pump

## EVE-TR 100 AC3/S068

### IE2/UL/CSA

<https://www.schmalz.com/10.03.01.00256>



Part no.: 10.03.01.00256

Homepage > Vacuum Technology for Automation > Vacuum Components > Vacuum Generators > Vacuum Pumps > Dry-Running Vacuum Pumps

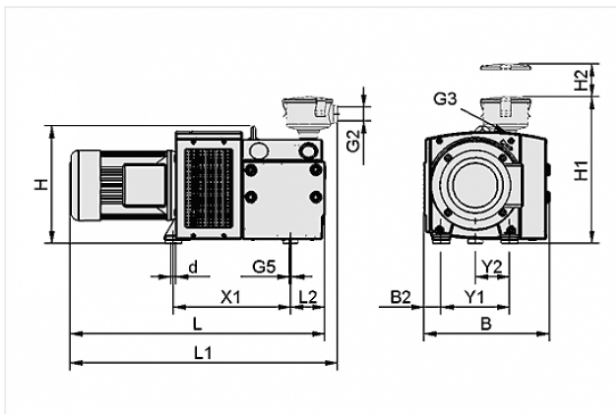
EVE-TR > EVE-TR 100 AC3/S068 IE2/UL/CSA

## Oil-free pump with constant suction rate, robust, requires little maintenance



Current type: 3-phase AC  
 Voltage (60 Hz): YY230/Y460V  $\pm 10\%$   
 Voltage (60 Hz-opt):  
 YY208  $\pm 10\%$  (w/o IE2)  
 Suction rate (60 Hz): 112 m<sup>3</sup>/h  
 Vacuum (50Hz): -900 mbar  
 Permission: IE2/UL/CSA  
 Rated power (60 Hz): 3.6 kW  
 Weight: 102.5 kg

### Design Data



Attribute	Value
B	470 mm
B2	110 mm
d	12 mm
G3	G1-1/2"-F
G5	M8-F
H	336 mm
L	835 mm
L2	140 mm
X1	398 mm
Y1	245 mm
Y2	122.5 mm

### Contact to Schmalz

J. Schmalz GmbH | Johannes-Schmalz-Straße, 72293 Glatten, Deutschland | +49 7443 2403-102 | [customercenter@schmalz.de](mailto:customercenter@schmalz.de)



## Technical Data

Attribute	Value
Suction rate (60 Hz)	112 m <sup>3</sup> /h
Voltage (60 Hz)	YY230/Y460V ±10%
Rated power (60 Hz)	3.6 kW
Current type	AC3
Weight	102.5 kg
Protection	IP 55

---

---

### Contact to Schmalz