

Vacuum pump

EVE-TR 100 AC3/S072 IE2

<https://www.schmalz.com/10.03.01.00255>



Part no.: 10.03.01.00255

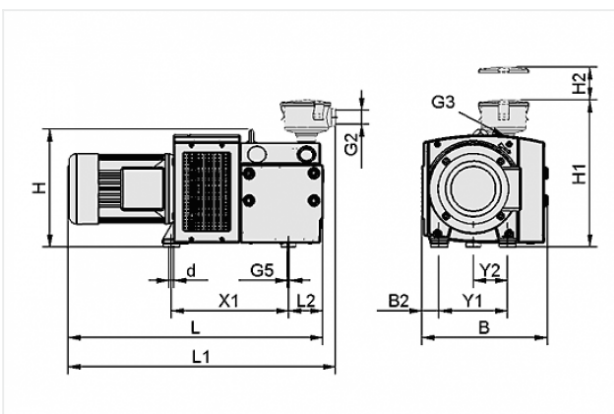
Homepage > Vacuum Technology for Automation > Vacuum Components > Vacuum Generators > Vacuum Pumps > Dry-Running Vacuum Pumps
EVE-TR > EVE-TR 100 AC3/S072 IE2

Oil-free pump with constant suction rate, robust, requires little maintenance



Current type: 3-phase AC
Noise level (50 Hz): 75 dB
Voltage (50 Hz): D230V/Y400V $\pm 10\%$
Voltage (60 Hz): D265V/Y460V $\pm 10\%$
Voltage (60 Hz-opt):
D230/Y400V $\pm 10\%$ (o. IE2)
Suction rate (50 Hz): 98 m³/h
Suction rate (60 Hz): 112 m³/h
Vacuum (50Hz): -900 mbar
Permission: IE2
Rated power (50 Hz): 3 kW
Rated power (60 Hz): 3.6 kW
Weight: 100 kg

Design Data



Attribute	Value
B	470 mm
B2	110 mm
d	12 mm
G3	G1-1/2"-F
G5	M8-F
H	336 mm
L	835 mm
L2	140 mm
X1	398 mm
Y1	245 mm

Contact to Schmalz

J. Schmalz GmbH | Johannes-Schmalz-Straße, 72293 Glatten, Deutschland | +49 7443 2403-102 | customercenter@schmalz.de

Attribute	Value
Y2	122.5 mm

Technical Data

Attribute	Value
Suction rate (50 Hz)	98 m ³ /h
Suction rate (60 Hz)	112 m ³ /h
Voltage (50 Hz)	D230V/Y400V ±10%
Voltage (60 Hz)	D265V/Y460V ±10%
Rated power (50 Hz)	3 kW
Rated power (60 Hz)	3.6 kW
Current type	AC3
Noise level (50 Hz)	75 dB
Weight	100 kg
Protection	IP 55
