

Vacuum pump

EVE-TR 80 AC3/S072 F IE2

<https://www.schmalz.com/10.03.01.00252>



Part no.: 10.03.01.00252

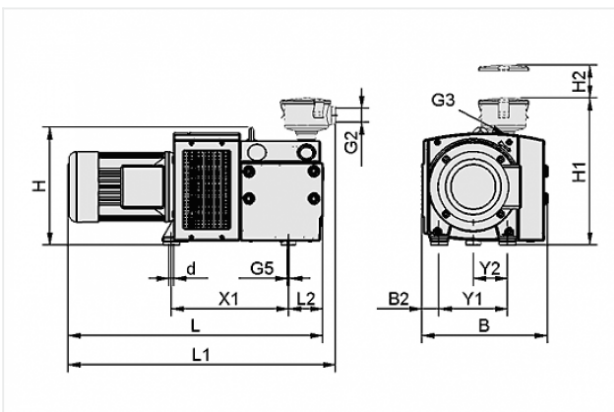
Homepage > Vacuum Technology for Automation > Vacuum Components > Vacuum Generators > Vacuum Pumps > Dry-Running Vacuum Pumps
EVE-TR > EVE-TR 80 AC3/S072 F IE2

Oil-free pump with constant suction rate, robust, requires little maintenance



Current type: 3-phase AC
 Noise level (50 Hz): 72 dB
 Voltage (50 Hz): D230V/Y400V ±10%
 Voltage (60 Hz): D265V/Y460V ±10%
 Voltage (60 Hz-opt):
 230/400V ±10% (o. IE2)
 with: Filter
 Suction rate (50 Hz): 67 m³/h
 Suction rate (60 Hz): 78.5 m³/h
 Vacuum (50Hz): -900 mbar
 Permission: IE2
 Rated power (50 Hz): 2.4 kW
 Rated power (60 Hz): 3 kW
 Weight: 78 kg

Design Data



Attribute	Value
B	353 mm
B2	48 mm
d	12 mm
G2	G1-1/4"-F
G3	G1"-F
G5	M8-F
H	328 mm
H1	420 mm
H2	75 mm

Contact to Schmalz

J. Schmalz GmbH | Johannes-Schmalz-Straße, 72293 Glatten, Deutschland | +49 7443 2403-102 | customercenter@schmalz.de

Attribute	Value
L	709 mm
L1	745 mm
L2	96 mm
X1	326 mm
Y1	190 mm
Y2	95 mm

Technical Data

Attribute	Value
Suction rate (50 Hz)	67 m ³ /h
Suction rate (60 Hz)	78.5 m ³ /h
Voltage (50 Hz)	D230V/Y400V ±10%
Voltage (60 Hz)	D265V/Y460V ±10%
Rated power (50 Hz)	2.4 kW
Rated power (60 Hz)	3 kW
Current type	AC3
Noise level (50 Hz)	72 dB
Weight	78 kg
Protection	IP 55
