

Vacuum pump EVE-TR 10 AC

Part no.: 10.03.01.00138

<https://www.schmalz.com/10.03.01.00138>



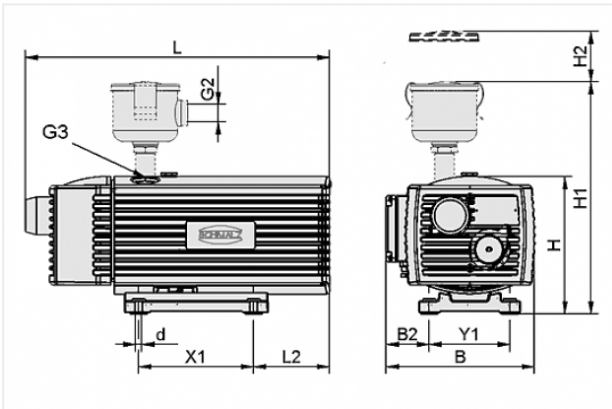
Homepage > Vacuum Technology for Automation > Vacuum Components > Vacuum Generators > Vacuum Pumps > Dry-Running Vacuum Pumps
EVE-TR > EVE-TR 10 AC

Oil-free pump with constant suction rate, robust, requires little maintenance



Current type: 1-phase AC
Noise level (50 Hz): 60 dB
Voltage (50 Hz): 230V
Voltage (60 Hz): 230V
Suction rate (50 Hz): 10 m³/h
Suction rate (60 Hz): 12 m³/h
Vacuum (50Hz): -850 mbar
Rated power (50 Hz): 0.37 kW
Rated power (60 Hz): 0.44 kW
Weight: 16 kg

Design Data



Attribute	Value
-----------	-------

B	206 mm
---	--------

B2	60 mm
----	-------

d	7 mm
---	------

G3	G1/2-F
----	--------

H	195 mm
---	--------

L	429 mm
---	--------

L2	106 mm
----	--------

X1	160 mm
----	--------

Y1	112 mm
----	--------

Contact to Schmalz

J. Schmalz GmbH | Johannes-Schmalz-Straße, 72293 Glatten, Deutschland | +49 7443 2403-102 | customercenter@schmalz.de

Technical Data

Attribute	Value
Suction rate (50 Hz)	10 m ³ /h
Suction rate (60 Hz)	12 m ³ /h
Voltage (50 Hz)	230V
Voltage (60 Hz)	230V
Rated power (50 Hz)	0.37 kW
Rated power (60 Hz)	0.44 kW
Current type	AC
Noise level (50 Hz)	60 dB
Weight	16 kg
Protection	IP 54

Spare Parts



FILT-EINS 39x40 EVE-10B+C-TR10

Part no. 10.03.01.00021

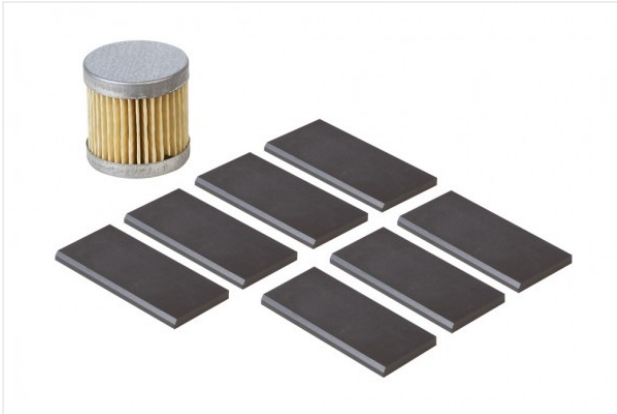
Filter insert (round)

External diameter: 39 mm

Length: 40 mm

for: Pump

Size: 10B+C-TR10



VST EVE-TR-10

Part no. 10.03.01.00132

Set of parts subject to wear pump

for: Pump EVE-TR

Size: 10

contains: Brush slide kit

and: Filter

Accessories



MSS-K 2.5-4A

Part no. 10.04.04.00120

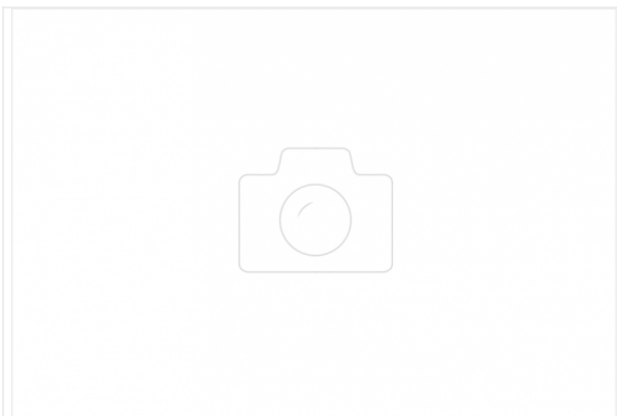
Motor-protection switch with housing

Current range: 2.5 ... 4.0 A

Actuation: Rotary switch

Colour: grey

Protection: IP 65



VBV -950...0 G1-AG EVE 10-40

Part no. 10.03.01.00136

Vacuum valve for limiting the maximum vacuum pressure

Vacuum range: -950 ... 0 mbar

Thread G1: G1"-M

Length L: 53.5 mm

for: Pump EVE

Size: 10-40



VST EVE-TR-10

Part no. 10.03.01.00132

Set of parts subject to wear pump

for: Pump EVE-TR

Size: 10

contains: Brush slide kit

and: Filter