

# Vacuum pump EVE-TR 8 AC3

Part no.: 10.03.01.00112

<https://www.schmalz.com/10.03.01.00112>



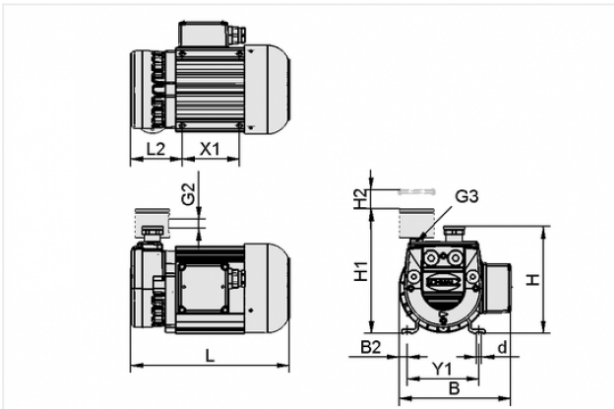
Homepage > Vacuum Technology for Automation > Vacuum Components > Vacuum Generators > Vacuum Pumps > Dry-Running Vacuum Pumps  
EVE-TR > EVE-TR 8 AC3

## Oil-free pump with constant suction rate, robust, requires little maintenance



Current type: 3-phase AC  
Noise level (50 Hz): 58 dB  
Voltage (50 Hz): 175-260V or 300-450V  
Voltage (60 Hz): 200-300V or 350-520V  
Suction rate (50 Hz): 7.6 m<sup>3</sup>/h  
Suction rate (60 Hz): 8.7 m<sup>3</sup>/h  
Vacuum (50Hz): -850 mbar  
Rated power (50 Hz): 0.35 kW  
Rated power (60 Hz): 0.42 kW  
Weight: 11.5 kg

### Design Data



Attribute	Value
B	155 mm
B2	11.5 mm
d	7 mm
G3	G3/8-F
H	154 mm
L	231 mm
L2	80 mm
X1	80 mm
Y1	100 mm

### Contact to Schmalz

J. Schmalz GmbH | Johannes-Schmalz-Straße, 72293 Glatten, Deutschland | +49 7443 2403-102 | [customercenter@schmalz.de](mailto:customercenter@schmalz.de)

## Technical Data

Attribute	Value
Suction rate (50 Hz)	7.6 m <sup>3</sup> /h
Suction rate (60 Hz)	8.7 m <sup>3</sup> /h
Voltage (50 Hz)	175-260V or 300-450V
Voltage (60 Hz)	200-300V or 350-520V
Rated power (50 Hz)	0.35 kW
Rated power (60 Hz)	0.42 kW
Current type	AC3
Noise level (50 Hz)	58 dB
Weight	11.5 kg
Protection	IP 54

## Spare Parts



### VST EVE-TR-8

Part no. 10.03.01.00109

Set of parts subject to wear pump  
for: Pump EVE-TR

Size: 8

## Accessories

### Contact to Schmalz

J. Schmalz GmbH | Johannes-Schmalz-Straße, 72293 Glatten, Deutschland | +49 7443 2403-102 |  
customercenter@schmalz.de



**VBV -850...0 G3/8-AG EVE 4-8**

Part no. 10.03.01.00107

Vacuum valve for limiting the maximum vacuum pressure

Vacuum range: -850 ... 0 mbar

Thread G1: G3/8"-M

Length L: 45 mm

for: Pump EVE

Size: 4-8