

Vacuum pump EVE-TR 8 AC F

Part no.: 10.03.01.00117

<https://www.schmalz.com/10.03.01.00117>



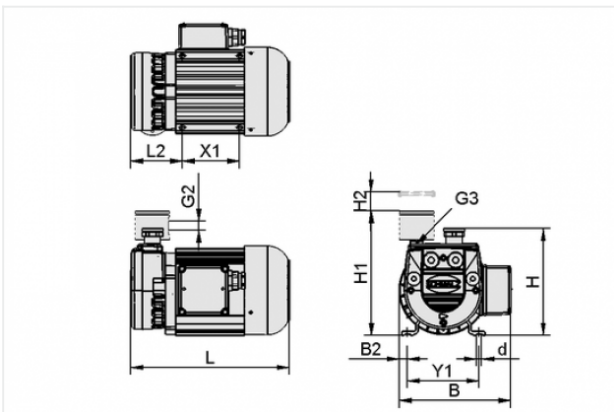
Homepage > Vacuum Technology for Automation > Vacuum Components > Vacuum Generators > Vacuum Pumps > Dry-Running Vacuum Pumps
EVE-TR > EVE-TR 8 AC F

Oil-free pump with constant suction rate, robust, requires little maintenance



Current type: 1-phase AC
Noise level (50 Hz): 58 dB
Voltage (50 Hz): 220-240V
Voltage (60 Hz): 220-240V
with: Filter
Suction rate (50 Hz): 7.6 m³/h
Suction rate (60 Hz): 8.7 m³/h
Vacuum (50Hz): -850 mbar
Rated power (50 Hz): 0.35 kW
Rated power (60 Hz): 0.42 kW
Weight: 11.5 kg

Design Data



Attribute	Value
B	155 mm
B2	11.5 mm
d	7 mm
G2	G3/8-F
G3	G3/8-F
H	154 mm
H1	201 mm
H2	62 mm
L	251 mm
L2	80 mm
X1	80 mm

Contact to Schmalz

J. Schmalz GmbH | Johannes-Schmalz-Straße, 72293 Glatten, Deutschland | +49 7443 2403-102 |
customercenter@schmalz.de

Attribute	Value
Y1	100 mm

Technical Data

Attribute	Value
Suction rate (50 Hz)	7.6 m ³ /h
Suction rate (60 Hz)	8.7 m ³ /h
Voltage (50 Hz)	220-240V
Voltage (60 Hz)	220-240V
Rated power (50 Hz)	0.35 kW
Rated power (60 Hz)	0.42 kW
Current type	AC
Noise level (50 Hz)	58 dB
Weight	11.5 kg
Protection	IP 54

Spare Parts



FILT-EINS 10 28x51 PAP VF-3/8

Part no. 10.07.01.00014

Filter insert (round)

Filter pore size: 10 µm

External diameter D: 28 mm

Length L: 51 mm

Filter material: Paper

for: Filter VF

Size: 3/8

Contact to Schmalz



VST EVE-TR-8

Part no. 10.03.01.00109

Set of parts subject to wear pump
for: Pump EVE-TR

Size: 8

Accessories



VBV -850...0 G3/8-AG EVE 4-8

Part no. 10.03.01.00107

Vacuum valve for limiting the maximum vacuum
pressure

Vacuum range: -850 ... 0 mbar

Thread G1: G3/8"-M

Length L: 45 mm

for: Pump EVE

Size: 4-8