

Vacuum pump EVE-TR 8 AC

Part no.: 10.03.01.00121

<https://www.schmalz.com/10.03.01.00121>



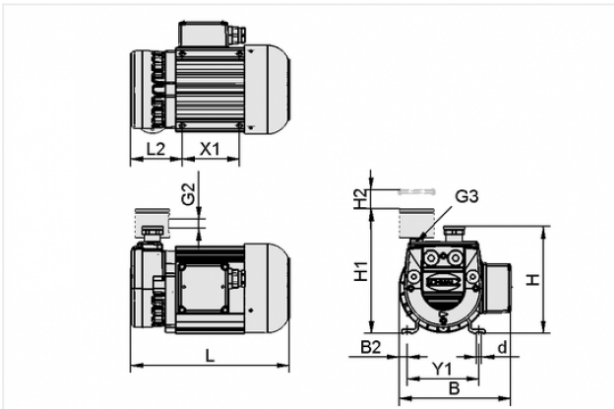
Homepage > Vacuum Technology for Automation > Vacuum Components > Vacuum Generators > Vacuum Pumps > Dry-Running Vacuum Pumps
EVE-TR > EVE-TR 8 AC

Oil-free pump with constant suction rate, robust, requires little maintenance



Current type: 1-phase AC
Noise level (50 Hz): 58 dB
Voltage (50 Hz): 230V
Voltage (60 Hz): 230V
Suction rate (50 Hz): 7.6 m³/h
Suction rate (60 Hz): 8.7 m³/h
Vacuum (50Hz): -850 mbar
Rated power (50 Hz): 0.35 kW
Rated power (60 Hz): 0.42 kW
Weight: 11.5 kg

Design Data



Attribute	Value
B	155 mm
B2	11.5 mm
d	7 mm
G3	G3/8-F
H	171.5 mm
L	251 mm
L2	80 mm
X1	80 mm
Y1	100 mm

Contact to Schmalz

J. Schmalz GmbH | Johannes-Schmalz-Straße, 72293 Glatten, Deutschland | +49 7443 2403-102 | customercenter@schmalz.de

Technical Data

Attribute	Value
Suction rate (50 Hz)	7.6 m ³ /h
Suction rate (60 Hz)	8.7 m ³ /h
Voltage (50 Hz)	230V
Voltage (60 Hz)	230V
Rated power (50 Hz)	0.35 kW
Rated power (60 Hz)	0.42 kW
Current type	AC
Noise level (50 Hz)	58 dB
Weight	11.5 kg
Protection	IP 54

Spare Parts



VST EVE-TR-8

Part no. 10.03.01.00109

Set of parts subject to wear pump
for: Pump EVE-TR

Size: 8

Accessories

Contact to Schmalz

J. Schmalz GmbH | Johannes-Schmalz-Straße, 72293 Glatten, Deutschland | +49 7443 2403-102 |
customercenter@schmalz.de



VBV -850...0 G3/8-AG EVE 4-8

Part no. 10.03.01.00107

Vacuum valve for limiting the maximum vacuum pressure

Vacuum range: -850 ... 0 mbar

Thread G1: G3/8"-M

Length L: 45 mm

for: Pump EVE

Size: 4-8