

# Vacuum pump EVE-TR-T 4 AC F

Part no.: 10.03.01.00197

<https://www.schmalz.com/10.03.01.00197>



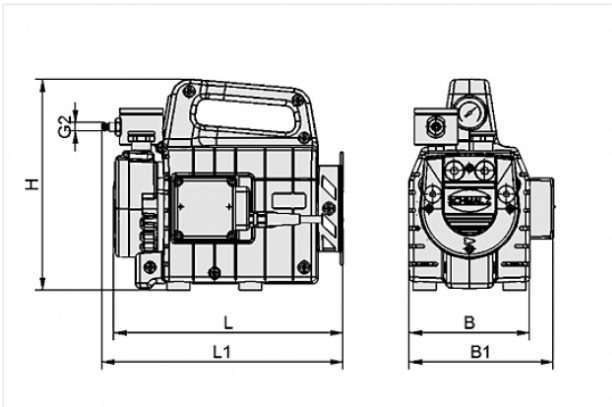
Homepage > Vacuum Technology for Automation > Vacuum Components > Vacuum Generators > Vacuum Pumps > Dry-Running Vacuum Pumps  
EVE-TR > EVE-TR-T 4 AC F

## Oil-free pump with constant suction rate, robust, requires little maintenance



Current type: 1-phase AC  
Voltage (50 Hz): 230V - AC  
Suction rate (50 Hz): 4 m<sup>3</sup>/h  
Suction rate (60 Hz): 4.7 m<sup>3</sup>/h  
Noise level (50 Hz): 59 dB  
Vacuum (max): -850 mbar  
Rated power (50 Hz): 0.18 kW  
Rated power (60 Hz): 0.22 kW  
with: Filter  
Weight: 8.5 kg

### Design Data



Attribute	Value
B	134 mm
B1	160.5 mm
G2	G1/4"-M
H	235 mm
L	255 mm
L1	268.5 mm

### Technical Data

Attribute	Value
Vacuum (max)	-850 mbar

### Contact to Schmalz

J. Schmalz GmbH | Johannes-Schmalz-Straße, 72293 Glatten, Deutschland | +49 7443 2403-102 | [customercenter@schmalz.de](mailto:customercenter@schmalz.de)

Attribute	Value
Vacuum (max)	-25.1 inHg
Suction rate (50 Hz)	4 m³/h
Suction rate (60 Hz)	4.7 m³/h
Voltage (50 Hz)	230V - AC
Rated power (50 Hz)	0.18 kW
Rated power (60 Hz)	0.22 kW
Current type	AC
Noise level (50 Hz)	59 dB
Weight	8.5 kg
Protection	IP 54

## Spare Parts



### **FILT-EINS 15 27x23 A2 VF-1/4-Draht**

Part no. 10.07.01.00013

Filter insert (round)

Filter pore size: 15 µm

External diameter D: 27 mm

Length L: 23 mm

Filter material: Stainless steel

for: Filter VF

Size: 1/4-Draht



#### **VST EVE-TR-4**

Part no. 10.03.01.00108

Set of parts subject to wear pump  
for: Pump EVE-TR

Size: 4

### **Accessories**



#### **VBV -850...0 G3/8-AG EVE 4-8**

Part no. 10.03.01.00107

Vacuum valve for limiting the maximum vacuum  
pressure

Vacuum range: -850 ... 0 mbar

Thread G1: G3/8"-M

Length L: 45 mm

for: Pump EVE

Size: 4-8