

Vacuum pump EVE-TR 4 AC3 F

Part no.: 10.03.01.00113

<https://www.schmalz.com/10.03.01.00113>



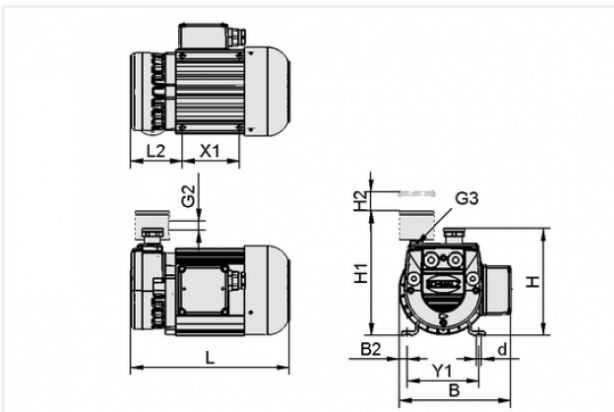
Homepage > Vacuum Technology for Automation > Vacuum Components > Vacuum Generators > Vacuum Pumps > Dry-Running Vacuum Pumps
EVE-TR > EVE-TR 4 AC3 F

Oil-free pump with constant suction rate, robust, requires little maintenance



Current type: 3-phase AC
 Noise level (50 Hz): 59 dB
 Voltage (50 Hz): 175-260V or 300-450V
 Voltage (60 Hz): 200-300V or 350-520V
 with: Filter
 Suction rate (50 Hz): 4.1 m³/h
 Suction rate (60 Hz): 4.7 m³/h
 Vacuum (50Hz): -850 mbar
 Rated power (50 Hz): 0.18 kW
 Rated power (60 Hz): 0.22 kW
 Weight: 7 kg

Design Data



Attribute	Value
B	155 mm
B2	11.5 mm
d	7 mm
G2	G1/4-F
G3	G1/4-F
H	148 mm
H1	172 mm
H2	40.5 mm
L	221.5 mm
L2	72 mm
X1	80 mm

Contact to Schmalz

J. Schmalz GmbH | Johannes-Schmalz-Straße, 72293 Glatten, Deutschland | +49 7443 2403-102 | customercenter@schmalz.de

Attribute	Value
Y1	100 mm

Technical Data

Attribute	Value
Suction rate (50 Hz)	4.1 m ³ /h
Suction rate (60 Hz)	4.7 m ³ /h
Voltage (50 Hz)	175-260V or 300-450V
Voltage (60 Hz)	200-300V or 350-520V
Rated power (50 Hz)	0.18 kW
Rated power (60 Hz)	0.22 kW
Current type	AC3
Noise level (50 Hz)	59 dB
Weight	7 kg
Protection	IP 54

Spare Parts



FILT-EINS 15 27x23 A2 VF-1/4-Draht

Part no. 10.07.01.00013

Filter insert (round)

Filter pore size: 15 µm

External diameter D: 27 mm

Length L: 23 mm

Filter material: Stainless steel

for: Filter VF

Size: 1/4-Draht



VST EVE-TR-4

Part no. 10.03.01.00108

Set of parts subject to wear pump
for: Pump EVE-TR

Size: 4

Accessories



VBV -850...0 G3/8-AG EVE 4-8

Part no. 10.03.01.00107

Vacuum valve for limiting the maximum vacuum
pressure

Vacuum range: -850 ... 0 mbar

Thread G1: G3/8"-M

Length L: 45 mm

for: Pump EVE

Size: 4-8