

# Vacuum pump EVE-TR 4 AC3

Part no.: 10.03.01.00111

<https://www.schmalz.com/10.03.01.00111>



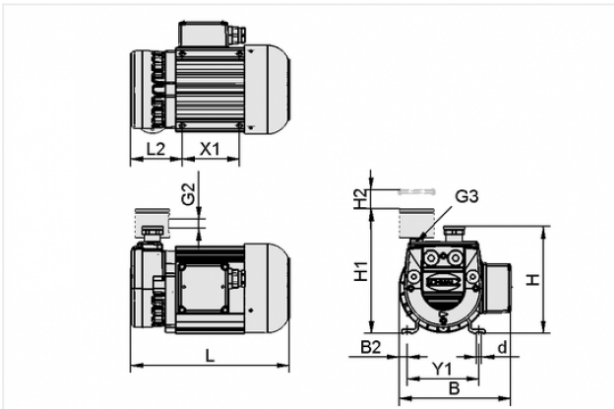
Homepage > Vacuum Technology for Automation > Vacuum Components > Vacuum Generators > Vacuum Pumps > Dry-Running Vacuum Pumps  
EVE-TR > EVE-TR 4 AC3

## Oil-free pump with constant suction rate, robust, requires little maintenance



Current type: 3-phase AC  
Noise level (50 Hz): 59 dB  
Voltage (50 Hz): 175-260V or 300-450V  
Voltage (60 Hz): 200-300V or 350-520V  
Suction rate (50 Hz): 4.1 m<sup>3</sup>/h  
Suction rate (60 Hz): 4.7 m<sup>3</sup>/h  
Vacuum (50Hz): -850 mbar  
Rated power (50 Hz): 0.18 kW  
Rated power (60 Hz): 0.22 kW  
Weight: 7 kg

### Design Data



| Attribute | Value    |
|-----------|----------|
| B         | 155 mm   |
| B2        | 11.5 mm  |
| d         | 7 mm     |
| G3        | G1/4-F   |
| H         | 148 mm   |
| L         | 221.5 mm |
| L2        | 72 mm    |
| X1        | 80 mm    |
| Y1        | 100 mm   |

### Contact to Schmalz

J. Schmalz GmbH | Johannes-Schmalz-Straße, 72293 Glatten, Deutschland | +49 7443 2403-102 | [customercenter@schmalz.de](mailto:customercenter@schmalz.de)

## Technical Data

| Attribute            | Value                 |
|----------------------|-----------------------|
| Suction rate (50 Hz) | 4.1 m <sup>3</sup> /h |
| Suction rate (60 Hz) | 4.7 m <sup>3</sup> /h |
| Voltage (50 Hz)      | 175-260V or 300-450V  |
| Voltage (60 Hz)      | 200-300V or 350-520V  |
| Rated power (50 Hz)  | 0.18 kW               |
| Rated power (60 Hz)  | 0.22 kW               |
| Current type         | AC3                   |
| Noise level (50 Hz)  | 59 dB                 |
| Weight               | 7 kg                  |
| Protection           | IP 54                 |

## Spare Parts



### VST EVE-TR-4

Part no. 10.03.01.00108

Set of parts subject to wear pump  
for: Pump EVE-TR

Size: 4

## Accessories

### Contact to Schmalz

J. Schmalz GmbH | Johannes-Schmalz-Straße, 72293 Glatten, Deutschland | +49 7443 2403-102 |  
customercenter@schmalz.de



**VBV -850...0 G3/8-AG EVE 4-8**

Part no. 10.03.01.00107

Vacuum valve for limiting the maximum vacuum pressure

Vacuum range: -850 ... 0 mbar

Thread G1: G3/8"-M

Length L: 45 mm

for: Pump EVE

Size: 4-8