

Vacuum pump EVE-TR 4 AC F

Part no.: 10.03.01.00114

<https://www.schmalz.com/10.03.01.00114>



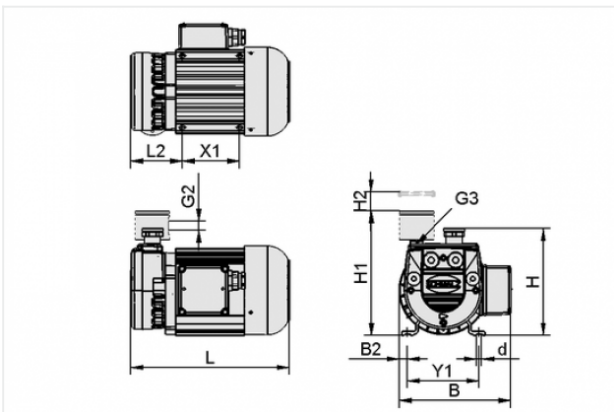
Homepage > Vacuum Technology for Automation > Vacuum Components > Vacuum Generators > Vacuum Pumps > Dry-Running Vacuum Pumps
EVE-TR > EVE-TR 4 AC F

Oil-free pump with constant suction rate, robust, requires little maintenance



Current type: 1-phase AC
Noise level (50 Hz): 59 dB
Voltage (50 Hz): 220-240V
Voltage (60 Hz): 220-240V
with: Filter
Suction rate (50 Hz): 4.1 m³/h
Suction rate (60 Hz): 4.7 m³/h
Vacuum (50Hz): -850 mbar
Rated power (50 Hz): 0.18 kW
Rated power (60 Hz): 0.22 kW
Weight: 7 kg

Design Data



Attribute	Value
-----------	-------

B	155 mm
---	--------

B2	11.5 mm
----	---------

d	7 mm
---	------

G2	G1/4-F
----	--------

G3	G1/4-F
----	--------

H	148 mm
---	--------

H1	172 mm
----	--------

H2	40.5 mm
----	---------

L	221.5 mm
---	----------

L2	72 mm
----	-------

X1	80 mm
----	-------

Contact to Schmalz

J. Schmalz GmbH | Johannes-Schmalz-Straße, 72293 Glatten, Deutschland | +49 7443 2403-102 |
customercenter@schmalz.de

Attribute	Value
Y1	100 mm

Technical Data

Attribute	Value
Suction rate (50 Hz)	4.1 m ³ /h
Suction rate (60 Hz)	4.7 m ³ /h
Voltage (50 Hz)	220-240V
Voltage (60 Hz)	220-240V
Rated power (50 Hz)	0.18 kW
Rated power (60 Hz)	0.22 kW
Current type	AC
Noise level (50 Hz)	59 dB
Weight	7 kg
Protection	IP 54

Spare Parts



FILT-EINS 15 27x23 A2 VF-1/4-Draht

Part no. 10.07.01.00013

Filter insert (round)

Filter pore size: 15 µm

External diameter D: 27 mm

Length L: 23 mm

Filter material: Stainless steel

for: Filter VF

Size: 1/4-Draht



VST EVE-TR-4

Part no. 10.03.01.00108

Set of parts subject to wear pump
for: Pump EVE-TR

Size: 4

Accessories



VBV -850...0 G3/8-AG EVE 4-8

Part no. 10.03.01.00107

Vacuum valve for limiting the maximum vacuum
pressure

Vacuum range: -850 ... 0 mbar

Thread G1: G3/8"-M

Length L: 45 mm

for: Pump EVE

Size: 4-8