

Vacuum pump EVE-TR-M 2.3 24V-DC

<https://www.schmalz.com/10.03.01.00192>



Part no.: 10.03.01.00192

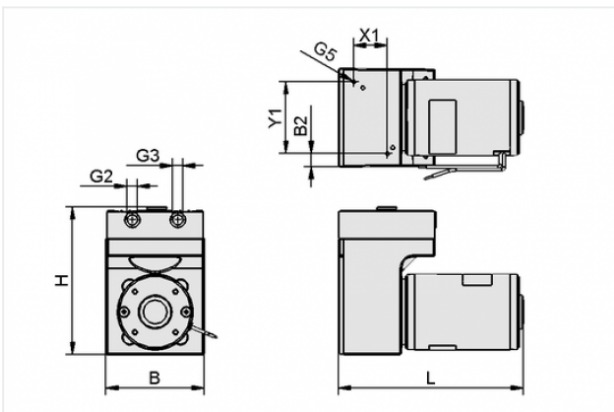
Homepage > Vacuum Technology for Automation > Vacuum Components > Vacuum Generators > Vacuum Pumps > Dry-Running Vacuum Pumps
EVE-TR > EVE-TR-M 2.3 24V-DC

Oil-free pump with constant suction rate, robust, requires little maintenance



Voltage: 24V - DC
Suction rate at DC: 2.04 m³/h
Vacuum (max): -780 mbar
Weight: 2.4 kg

Design Data



Attribute	Value
-----------	-------

B	82 mm
B2	11 mm
G2	G1/8"-F
G3	G1/8"-F
G5	M4-F
H	123 mm
L	154 mm
X1	28 mm
Y1	60 mm

Contact to Schmalz

J. Schmalz GmbH | Johannes-Schmalz-Straße, 72293 Glatten, Deutschland | +49 7443 2403-102 | customercenter@schmalz.de

Technical Data

Attribute	Value
Vacuum (max)	-780 mbar
Suction rate at DC	2.04 m ³ /h
Voltage	24V - DC
Weight	2.4 kg
