

Vacuum pump EVE-TR-M 2.3 12V-DC

<https://www.schmalz.com/10.03.01.00195>



Part no.: 10.03.01.00195

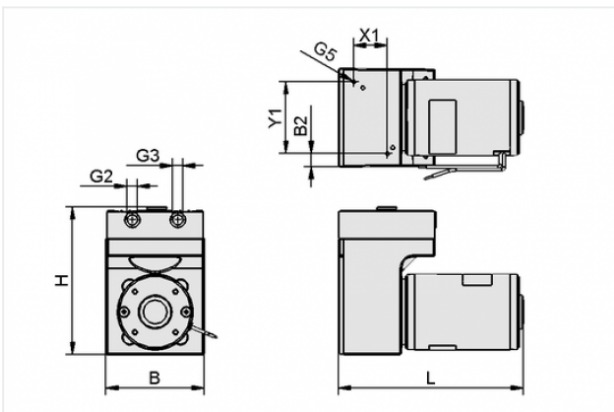
Homepage > Vacuum Technology for Automation > Vacuum Components > Vacuum Generators > Vacuum Pumps > Dry-Running Vacuum Pumps
EVE-TR > EVE-TR-M 2.3 12V-DC

Oil-free pump with constant suction rate, robust, requires little maintenance



Voltage: 12V - DC
Suction rate at DC: 2.04 m³/h
Vacuum (max): -780 mbar
Weight: 2.4 kg

Design Data



Attribute	Value
-----------	-------

B	80.7 mm
---	---------

B2	10.4 mm
----	---------

G2	G1/8"-F
----	---------

G3	G1/8"-F
----	---------

G5	M4-F
----	------

H	123 mm
---	--------

L	154 mm
---	--------

X1	28 mm
----	-------

Y1	60 mm
----	-------

Contact to Schmalz

J. Schmalz GmbH | Johannes-Schmalz-Straße, 72293 Glatten, Deutschland | +49 7443 2403-102 | customercenter@schmalz.de



Technical Data

Attribute	Value
Vacuum (max)	-780 mbar
Suction rate at DC	2.04 m ³ /h
Voltage	12V - DC
Weight	2.4 kg

[Contact to Schmalz](#)