

## Flange module

### VEE-QCM 30

Part no.:10.01.36.00121

<https://www.schmalz.com/10.01.36.00121>

Homepage > Vacuum Technology for Automation > Vacuum Components > Area Gripping Systems and End Effectors > Vacuum End Effectors

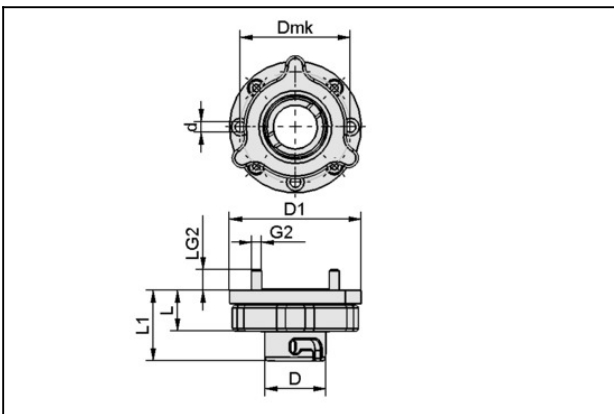
VEE > Flange Modules VEE-QCM > VEE-QCM 30

## VEE flange module with quick-change adapter and integrated vacuum line



Length: 30 mm  
Pitch diameter: 46 mm  
Number of holes: 8  
Flow rate: 60 m<sup>3</sup>/h

### Design Data



Attribute	Value
D	25.4 mm
d	4.5 mm
Dmk	46 mm
G2	M4-M
L	19 mm
L1	30 mm
LG2	8.6 mm

### Technical Data

Attribute	Value
Connection	Bayonet connection

### Contact to Schmalz

J. Schmalz GmbH | Johannes-Schmalz-Straße, 72293 Glatten, Deutschland | +49 7443 2403-102 | [customercenter@schmalz.de](mailto:customercenter@schmalz.de)

# Flange module

## VEE-QCM 30

Part no.:10.01.36.00121

<https://www.schmalz.com/10.01.36.00121>



### Accessories



#### **ECBpi 12 24V-DC M12-8**

Part no.10.03.01.00314

CobotPump for electrical vacuum generation for collaborative robots

Suction rate (max): 12 l/min

Rated power: 13 W

Voltage: 24V - DC

Rated current: 0.6 A

Electrical connection:

Male connect M12, 8 pol

Vacuum (max): 750 mbar

Noise level (max): 57 dB

Ambient temperature: 5 ... 45 °C



#### **ECBpi 12 24V-DC TB-8**

Part no.10.03.01.00364

CobotPump for electrical vacuum generation for collaborative robots

Suction rate (max): 12 l/min

Rated power: 13 W

Voltage: 24V - DC

Rated current: 0.6 A

Electrical connection:

Terminal block 8x

Vacuum (max): 750 mbar

Noise level (max): 57 dB

Ambient temperature: 5 ... 45 °C