

Flange module

VEE-QCM 30

<https://www.schmalz.com/10.01.36.00121>



Part no.: 10.01.36.00121

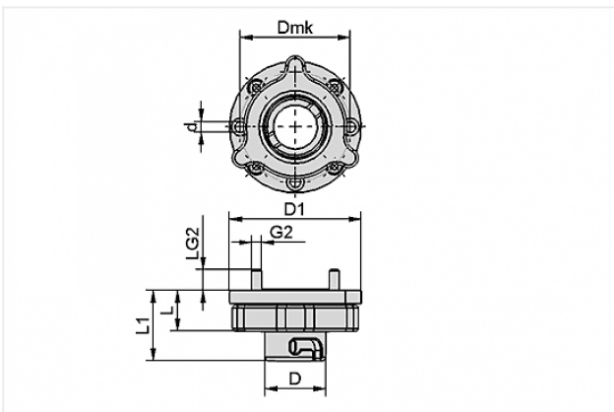
Homepage > Vacuum Technology for Automation > Vacuum Components > Area Gripping Systems and End Effectors > Vacuum End Effectors VEE
> Flange Modules VEE-QCM > VEE-QCM 30

VEE flange module with quick-change adapter and integrated vacuum line



Length: 30 mm
Pitch diameter: 46 mm
Number of holes: 8
Flow rate: 60 m³/h

Design Data



Attribute	Value
-----------	-------

d	4.5 mm
---	--------

D	25.4 mm
---	---------

D1	55 mm
----	-------

D mk	46 mm
------	-------

G2	M4-M
----	------

L	19 mm
---	-------

L1	30 mm
----	-------

LG2	8.6 mm
-----	--------

Technical Data

Contact to Schmalz

J. Schmalz GmbH | Johannes-Schmalz-Straße, 72293 Glatten, Deutschland | +49 7443 2403-102 | customercenter@schmalz.de

Attribute	Value
Flow rate (max)	60 m ³ /h
Connection	Bayonet connection
Material	Aluminium
Ambient temperature	-25 ... 80 °C
Weight	65 g

Accessories



ECBPi 12 24V-DC M12-8

Part no. 10.03.01.00314

CobotPump for electrical vacuum generation for collaborative robots

Suction rate (max): 12 l/min

Rated power: 13 W

Voltage: 24V - DC

Rated current: 0.6 A

Electrical connection:

Male connect M12, 8 pol

Vacuum (max): 750 mbar

Ambient temperature: 5 ... 45 °C



ECBPi 12 24V-DC TB-8

Part no. 10.03.01.00364

CobotPump for electrical vacuum generation for collaborative robots

Suction rate (max): 12 l/min

Rated power: 13 W

Voltage: 24V - DC

Rated current: 0.6 A

Electrical connection:

Terminal block 8x

Vacuum (max): 750 mbar

Ambient temperature: 5 ... 45 °C