

Flange plate robot application

FLAN-PL YAS-1

Part no.: 10.03.01.00357

<https://www.schmalz.com/10.03.01.00357>



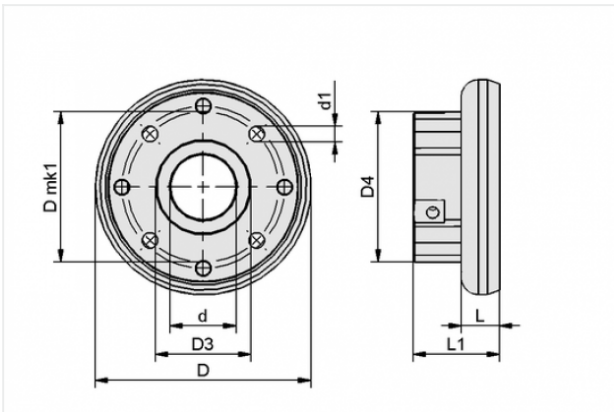
Homepage > Vacuum Technology for Automation > Vacuum Components > Vacuum Generators > Electric Vacuum Generators > FLAN-PL YAS-1

Flange plate (round)



Type: YAS-1
Type: Motoman-HC10

Design Data



| Attribute | Value |
|-----------|---------|
| d | 40 mm |
| d1 | 6.6 mm |
| D | 89 mm |
| D4 | 63.5 mm |
| D mk1 | 63 mm |
| L | 16 mm |
| L1 | 35.3 mm |

Technical Data

| Attribute | Value |
|-----------|-----------|
| Material | Aluminium |
| Weight | 220 g |

Contact to Schmalz

J. Schmalz GmbH | Johannes-Schmalz-Straße, 72293 Glatten, Deutschland | +49 7443 2403-102 | customercenter@schmalz.de

Accessories



ECBPi 12 24V-DC M12-8

Part no. 10.03.01.00314

CobotPump for electrical vacuum generation for collaborative robots

Suction rate (max): 12 l/min

Rated power: 13 W

Voltage: 24V - DC

Rated current: 0.6 A

Electrical connection:

Male connect M12, 8 pol

Vacuum (max): 750 mbar

Ambient temperature: 5 ... 45 °C



ECBPi 12 24V-DC TB-8

Part no. 10.03.01.00364

CobotPump for electrical vacuum generation for collaborative robots

Suction rate (max): 12 l/min

Rated power: 13 W

Voltage: 24V - DC

Rated current: 0.6 A

Electrical connection:

Terminal block 8x

Vacuum (max): 750 mbar

Ambient temperature: 5 ... 45 °C