

# Flange plate robot application

## FLAN-PL RET-2

Part no.: 10.03.01.00373

<https://www.schmalz.com/10.03.01.00373>



Homepage > Vacuum Technology for Automation > Vacuum Components > Vacuum Generators > Electric Vacuum Generators > FLAN-PL RET-2

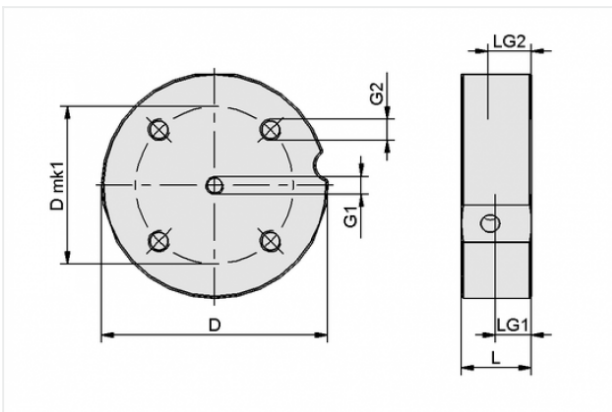
### Flange plate (round)



Type: RET-2

Type: Sawyer-m-CLSMA

### Design Data



Attribute	Value
-----------	-------

D	63.5 mm
---	---------

D mk1	44 mm
-------	-------

G1	M5-F
----	------

G2	M6-F
----	------

L	19.5 mm
---	---------

LG1	10 mm
-----	-------

LG2	12 mm
-----	-------

### Technical Data

Attribute	Value
-----------	-------

Material	Aluminium
----------	-----------

Weight	157 g
--------	-------

### Contact to Schmalz

J. Schmalz GmbH | Johannes-Schmalz-Straße, 72293 Glatten, Deutschland | +49 7443 2403-102 | [customercenter@schmalz.de](mailto:customercenter@schmalz.de)

## Accessories



### **ECBPi 12 24V-DC M12-8**

Part no. 10.03.01.00314

CobotPump for electrical vacuum generation for collaborative robots

Suction rate (max): 12 l/min

Rated power: 13 W

Voltage: 24V - DC

Rated current: 0.6 A

Electrical connection:

Male connect M12, 8 pol

Vacuum (max): 750 mbar

Ambient temperature: 5 ... 45 °C



### **ECBPi 12 24V-DC TB-8**

Part no. 10.03.01.00364

CobotPump for electrical vacuum generation for collaborative robots

Suction rate (max): 12 l/min

Rated power: 13 W

Voltage: 24V - DC

Rated current: 0.6 A

Electrical connection:

Terminal block 8x

Vacuum (max): 750 mbar

Ambient temperature: 5 ... 45 °C