

Flange plate robot application

FLAN-PL RET-1

Part no.: 10.03.01.00358

<https://www.schmalz.com/10.03.01.00358>



Homepage > Vacuum Technology for Automation > Vacuum Components > Vacuum Generators > Electric Vacuum Generators > FLAN-PL RET-1

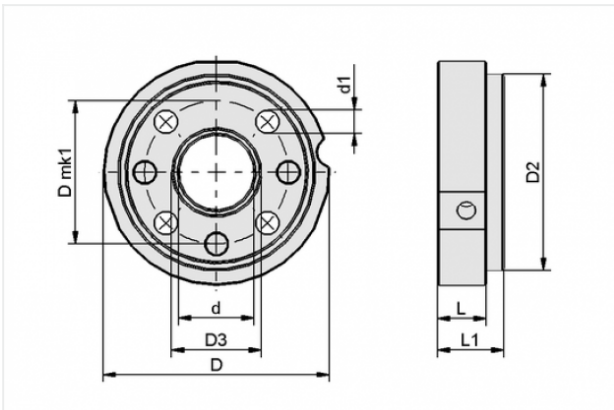
Flange plate (round)



Type: RET-1

Type: Sawyer-o-CLSMA

Design Data



| Attribute | Value |
|-----------|---------|
| d | 21 mm |
| d1 | 6.6 mm |
| D | 63.5 mm |
| D2 | 55 mm |
| D3 | 25 mm |
| D mk1 | 40 mm |
| L | 13.5 mm |
| L1 | 18.5 mm |

Technical Data

| Attribute | Value |
|-----------|-----------|
| Material | Aluminium |

Contact to Schmalz

J. Schmalz GmbH | Johannes-Schmalz-Straße, 72293 Glatten, Deutschland | +49 7443 2403-102 | customercenter@schmalz.de

| Attribute | Value |
|-----------|-------|
| Weight | 99 g |

Accessories



ECBPi 12 24V-DC M12-8

Part no. 10.03.01.00314

CobotPump for electrical vacuum generation for collaborative robots

Suction rate (max): 12 l/min

Rated power: 13 W

Voltage: 24V - DC

Rated current: 0.6 A

Electrical connection:

Male connect M12, 8 pol

Vacuum (max): 750 mbar

Ambient temperature: 5 ... 45 °C



ECBPi 12 24V-DC TB-8

Part no. 10.03.01.00364

CobotPump for electrical vacuum generation for collaborative robots

Suction rate (max): 12 l/min

Rated power: 13 W

Voltage: 24V - DC

Rated current: 0.6 A

Electrical connection:

Terminal block 8x

Vacuum (max): 750 mbar

Ambient temperature: 5 ... 45 °C