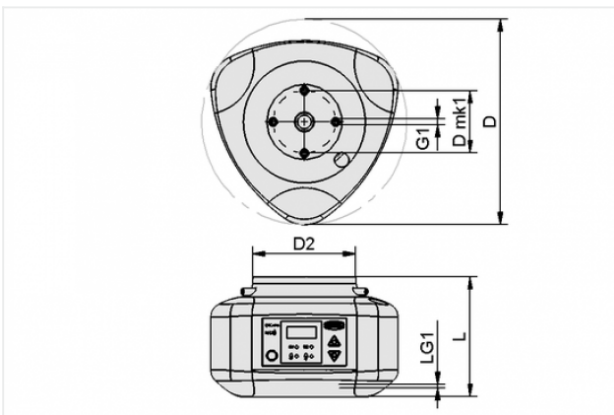


CobotPump for electrical vacuum generation for collaborative robots



Suction rate (max): 12 l/min
 Rated power: 13 W
 Voltage: 24V - DC
 Rated current: 0.6 A
 Electrical connection:
 Terminal block 8x
 Vacuum (max): 750 mbar
 Ambient temperature: 5 ... 45 °C

Design Data



Attribute	Value
-----------	-------

D	151.5 mm
---	----------

D2	76 mm
----	-------

D mk1	46 mm
-------	-------

G1	M4-F
----	------

L	88.6 mm
---	---------

LG1	6 mm
-----	------

Technical Data

Attribute	Value
-----------	-------

Suction rate (max)	12 l/min
--------------------	----------

Vacuum (max)	750 mbar
--------------	----------

Contact to Schmalz

Attribute	Value
Rated power	13 W
Voltage	24V - DC
Rated current	0.6 A
Ambient temperature	5 ... 45 °C
Weight	775 g

Accessories



FLAN-PL UR-KUK-1

Part no. 10.03.01.00313

Flange plate (round)

Type: UR-KUK-1

Type: 3,5,10-iiwa7,14



FLAN-PL RET-1

Part no. 10.03.01.00358

Flange plate (round)

Type: RET-1

Type: Sawyer-o-CLSMA



FLAN-PL RET-2

Part no. 10.03.01.00373

Flange plate (round)

Type: RET-2

Type: Sawyer-m-CLSMA



FLAN-PL YAS-1

Part no. 10.03.01.00357

Flange plate (round)

Type: YAS-1

Type: Motoman-HC10



VEE-QCM 30

Part no. 10.01.36.00121

VEE flange module with quick-change adapter and integrated vacuum line

Length: 30 mm

Pitch diameter: 46 mm

Number of holes: 8

Flow rate: 60 m³/h