

Flange plate robot application

FLAN-PL UR-KUK-1

Part no.: 10.03.01.00313

<https://www.schmalz.com/10.03.01.00313>



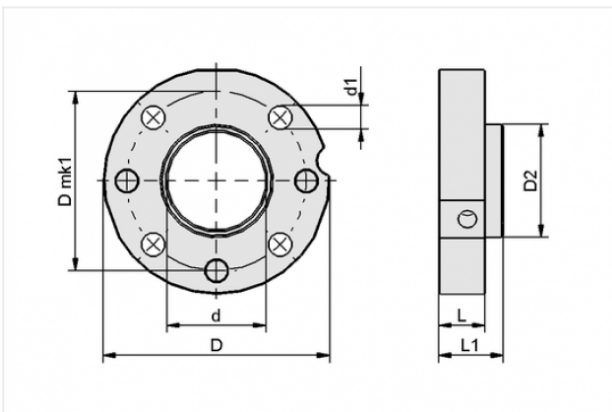
Homepage > Vacuum Technology for Automation > Vacuum Components > Vacuum Generators > Electric Vacuum Generators > FLAN-PL UR-KUK-1

Flange plate (round)



Type: UR-KUK-1
Type: 3,5,10-iiwa7,14

Design Data



Attribute	Value
-----------	-------

d	27.5 mm
---	---------

d1	6.6 mm
----	--------

D	63.5 mm
---	---------

D2	31.5 mm
----	---------

D mk1	50 mm
-------	-------

L	13 mm
---	-------

L1	18 mm
----	-------

Technical Data

Attribute	Value
-----------	-------

Material	Aluminium
----------	-----------

Contact to Schmalz

J. Schmalz GmbH | Johannes-Schmalz-Straße, 72293 Glatten, Deutschland | +49 7443 2403-102 | customercenter@schmalz.de

Attribute	Value
Weight	81 g

Accessories



ECBPi 12 24V-DC M12-8

Part no. 10.03.01.00314

CobotPump for electrical vacuum generation for collaborative robots

Suction rate (max): 12 l/min

Rated power: 13 W

Voltage: 24V - DC

Rated current: 0.6 A

Electrical connection:

Male connect M12, 8 pol

Vacuum (max): 750 mbar

Ambient temperature: 5 ... 45 °C



ECBPi 12 24V-DC TB-8

Part no. 10.03.01.00364

CobotPump for electrical vacuum generation for collaborative robots

Suction rate (max): 12 l/min

Rated power: 13 W

Voltage: 24V - DC

Rated current: 0.6 A

Electrical connection:

Terminal block 8x

Vacuum (max): 750 mbar

Ambient temperature: 5 ... 45 °C