

Compact ejector

SEM-C 100 SDA NO AS

<https://www.schmalz.com/10.02.02.03209>



Part no.: 10.02.02.03209

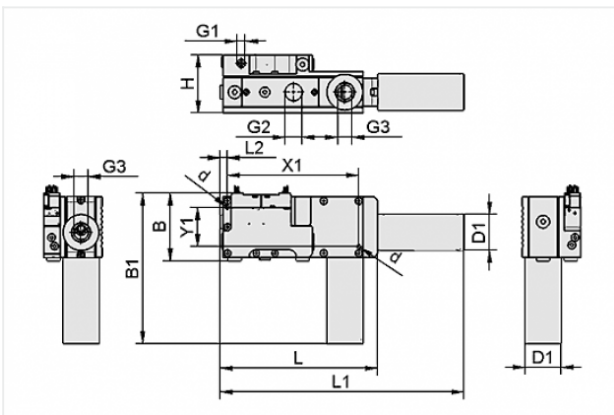
Homepage > Vacuum Technology for Automation > Vacuum Components > Vacuum Generators > Compact Ejectors > Compact Ejectors SEM-C > SEM-C 100 SDA NO AS

Multi-stage ejector (controllable) with high suction capacity



Size: 100
 with: Axial silencer
 Suction rate (max): 673 l/min
 Air consumption (during evac.):
 246 l/min
 Vacuum (max): -800 mbar
 Control: Normally open
 Shape: With blow-off system

Design Data



Attribute	Value
B	94.5 mm
B1	210 mm
d	5.5 mm
D1	50 mm
G1	G1/4"-F
G2	G1"-F
G3	G3/4"-F
H	90 mm
L	219.5 mm
L1	339.5 mm
L2	10.5 mm
X1	183 mm
Y1	55 mm

Contact to Schmalz

J. Schmalz GmbH | Johannes-Schmalz-Straße, 72293 Glatten, Deutschland | +49 7443 2403-102 | customercenter@schmalz.de

Technical Data

Attribute	Value
Size	100
Degree of evacuation	81 %
Suction rate (max)	40.3 m ³ /h
Suction rate (max)	673 l/min
Air consumption (during evac.)	14.8 m ³ /h
Air consumption (during evac.)	246 l/min
Noise level (workp. gripped)	63 dB
Noise level (free)	83 dB
Pressure optimal	5 bar
Int. hose diameter (recom.) comp.-air	6 mm
Int. hose diameter (recom.) vacuum side	32 mm
Weight	2.16 kg
Ambient temperature	0 ... 50 °C
Pressure optimal	72.5 psi
Suction rate (max)	23.766 cfm
Air consumption (during evac.)	8.687 cfm
Vacuum (max)	-23.624 inHg
Product family	SEM-C

Note:

- Air consumption: At optimal operating pressure
- Hose diameter: For max. length 2 m

Spare Parts



SD G3/4-AG 50x120 SEM

Part no. 10.02.01.00312

Silencer for vacuum generators

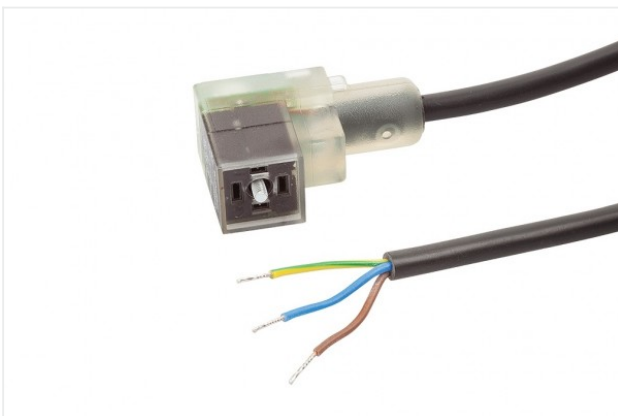
Thread 1: G3/4-M

External diameter: 50 mm

Length: 120 mm

for: Multi-stage ejectors

Accessories



ASK B-Form-C 5000 K-3P

Part no. 21.04.06.00084

Connection cable

Interface Connection 1:

Fem connect Form C

Cable length: 5000 mm

Interface Connection 2: Cable 3

Material: PVC-Cable

Shape: LED display