

Compact ejector

SEM-C 25 SDA NC AS VD

<https://www.schmalz.com/10.02.02.03205>



Part no.: 10.02.02.03205

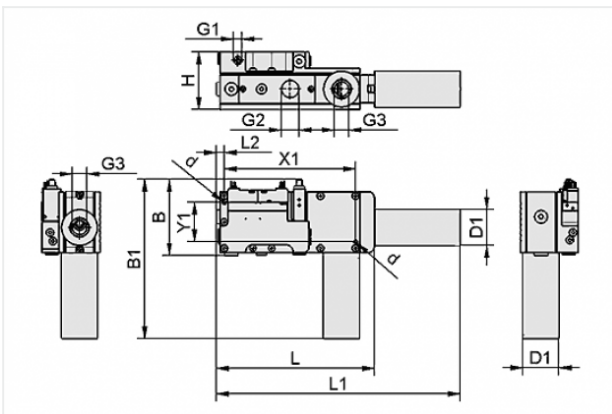
Homepage > Vacuum Technology for Automation > Vacuum Components > Vacuum Generators > Compact Ejectors > Compact Ejectors SEM-C > SEM-C 25 SDA NC AS VD

Multi-stage ejector (controllable) with high suction capacity



Size: 25
 with: Axial silencer
 Suction rate (max): 338 l/min
 Air consumption (during evac.):
 100 l/min
 Vacuum (max): -870 mbar
 Control: Normally closed
 Shape: With blow-off system
 with: digital vacuum switch

Design Data



| Attribute | Value |
|-----------|----------|
| B | 116.5 mm |
| B1 | 192 mm |
| d | 5.5 mm |
| D1 | 40 mm |
| G1 | G1/4"-F |
| G2 | G1/2"-F |
| G3 | G1/2"-F |
| H | 70 mm |
| L | 199.5 mm |
| L1 | 279.5 mm |
| L2 | 10.5 mm |
| X1 | 183 mm |
| Y1 | 55 mm |

Contact to Schmalz

J. Schmalz GmbH | Johannes-Schmalz-Straße, 72293 Glatten, Deutschland | +49 7443 2403-102 | customercenter@schmalz.de

Technical Data

| Attribute | Value |
|---|------------------------|
| Size | 25 |
| Degree of evacuation | 87 % |
| Suction rate (max) | 20.2 m ³ /h |
| Suction rate (max) | 338 l/min |
| Air consumption (during evac.) | 6 m ³ /h |
| Air consumption (during evac.) | 100 l/min |
| Noise level (workp. gripped) | 70 dB |
| Noise level (free) | 80 dB |
| Pressure optimal | 5 bar |
| Int. hose diameter (recom.) comp.-air | 4 mm |
| Int. hose diameter (recom.) vacuum side | 20 mm |
| Weight | 1.67 kg |
| Ambient temperature | 0 ... 50 °C |
| Pressure optimal | 72.5 psi |
| Suction rate (max) | 11.936 cfm |
| Air consumption (during evac.) | 3.531 cfm |
| Vacuum (max) | -25.691 inHg |
| Product family | SEM-C |

Note:

- Air consumption: At optimal operating pressure
- Hose diameter: For max. length 2 m

Spare Parts



SD G1/2-AG 40x80 SEM

Part no. 10.02.01.00309

Silencer for vacuum generators

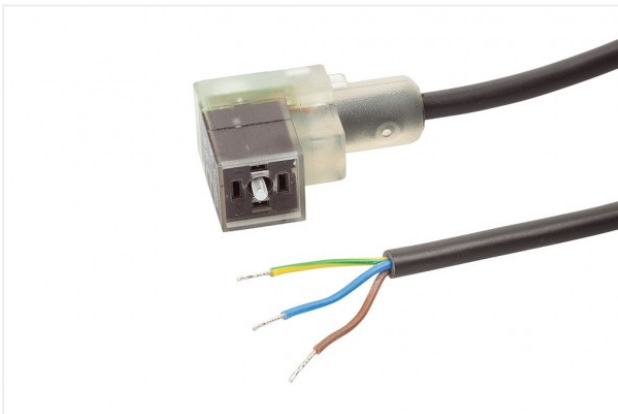
Thread 1: G1/2-M

External diameter: 40 mm

Length: 80 mm

for: Multi-stage ejectors

Accessories



ASK B-Form-C 5000 K-3P

Part no. 21.04.06.00084

Connection cable

Interface Connection 1:

Fem connect Form C

Cable length: 5000 mm

Interface Connection 2: Cable 3

Material: PVC-Cable

Shape: LED display



ASV SMP/SCP-20-30-NC K

Part no. 10.02.02.01287

Connection distributor

for: Ejector SMP/SCP 20-30 NC

Connection 1: 2xCon.DIN175301-803A/M8

Connection 2: Cable

Length L: 5425 mm



ASK B-M8-4 5000 K-4P

Part no. 10.06.02.00031

Connection cable

Interface Connection cable:

Fem connect M8, 4 pol

Cable length: 5000 mm

Interface Connection cable: Cable 4

Material: PUR-Cable



ASK WB-M8-4 5000 K-4P

Part no. 10.06.02.00032

Connection cable

Interface Connection cable:

Elbow fem con M8, 4 pol

Cable length: 5000 mm

Interface Connection cable: Cable 4

Material: PUR-Cable