

Compact ejector SEM-C 25 SDA NC AS

<https://www.schmalz.com/10.02.02.03203>



Part no.: 10.02.02.03203

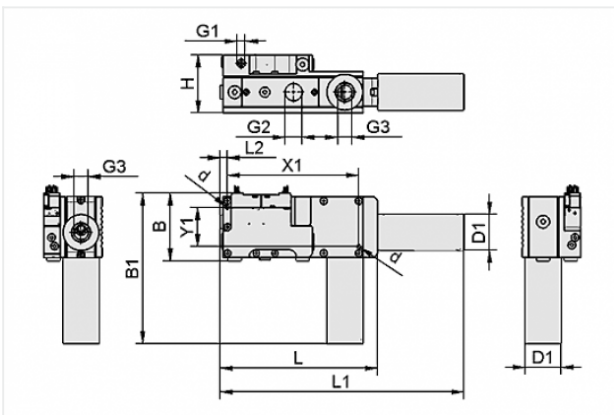
Homepage > Vacuum Technology for Automation > Vacuum Components > Vacuum Generators > Compact Ejectors > Compact Ejectors SEM-C > SEM-C 25 SDA NC AS

Multi-stage ejector (controllable) with high suction capacity



Size: 25
with: Axial silencer
Suction rate (max): 338 l/min
Air consumption (during evac.):
100 l/min
Vacuum (max): -870 mbar
Control: Normally closed
Shape: With blow-off system

Design Data



Attribute	Value
B	94.5 mm
B1	170 mm
d	5.5 mm
D1	40 mm
G1	G1/4"-F
G2	G1/2"-F
G3	G1/2"-F
H	70 mm
L	199.5 mm
L1	279.5 mm
L2	10.5 mm
X1	183 mm
Y1	55 mm

Contact to Schmalz

J. Schmalz GmbH | Johannes-Schmalz-Straße, 72293 Glatten, Deutschland | +49 7443 2403-102 | customercenter@schmalz.de

Technical Data

Attribute	Value
Size	25
Degree of evacuation	87 %
Suction rate (max)	20.2 m ³ /h
Suction rate (max)	338 l/min
Air consumption (during evac.)	6 m ³ /h
Air consumption (during evac.)	100 l/min
Noise level (workp. gripped)	70 dB
Noise level (free)	80 dB
Pressure optimal	5 bar
Int. hose diameter (recom.) comp.-air	4 mm
Int. hose diameter (recom.) vacuum side	20 mm
Weight	1.64 kg
Ambient temperature	0 ... 50 °C
Pressure optimal	72.5 psi
Suction rate (max)	11.936 cfm
Air consumption (during evac.)	3.531 cfm
Vacuum (max)	-25.691 inHg
Product family	SEM-C

Note:

- Air consumption: At optimal operating pressure
- Hose diameter: For max. length 2 m

Spare Parts



SD G1/2-AG 40x80 SEM

Part no. 10.02.01.00309

Silencer for vacuum generators

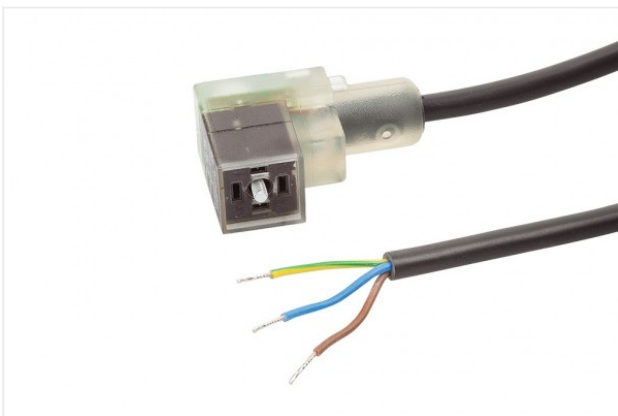
Thread 1: G1/2-M

External diameter: 40 mm

Length: 80 mm

for: Multi-stage ejectors

Accessories



ASK B-Form-C 5000 K-3P

Part no. 21.04.06.00084

Connection cable

Interface Connection 1:

Fem connect Form C

Cable length: 5000 mm

Interface Connection 2: Cable 3

Material: PVC-Cable

Shape: LED display