

# Schmalz X-Pump

## SXMPi 30 NC Q M12-8

<https://www.schmalz.com/10.02.02.03813>



Part no.: 10.02.02.03813

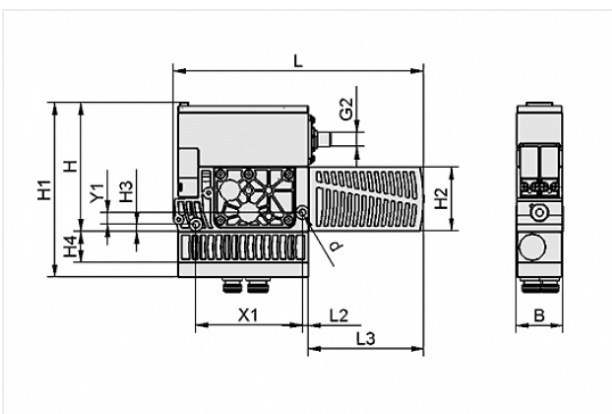
Homepage > Vacuum Technology for Automation > Vacuum Components > Vacuum Generators > Compact Ejectors > Compact Ejectors X-Pump  
 SXPi / SXMPi with IO-Link > SXMPi 30 NC Q M12-8

### Compact ejector with Condition Monitoring, power blow-off function and pneu. air-saving function



Nozzle size: 3,0 mm  
 Control: Normally closed  
 Pneum. Connection: Quick Change  
 Electrical connection:  
 Male connect M12, 8 pol  
 Suction rate (max): 220 l/min  
 Air consumption (during evac.):  
 380 l/min  
 Communication: IO-Link (Class A)  
 Vacuum (max): -850 mbar  
 Noise level (free): 72 dB  
 Protection: IP 65

### Design Data



Attribute	Value
B	39 mm
d	5.5 mm
G2	M12x1-M
H	146 mm
H1	160 mm
H2	54 mm
H3	6 mm
L	210 mm
L2	5 mm
L3	97 mm

### Contact to Schmalz

J. Schmalz GmbH | Johannes-Schmalz-Straße, 72293 Glatten, Deutschland | +49 7443 2403-102 | [customercenter@schmalz.de](mailto:customercenter@schmalz.de)

Attribute	Value
X1	89 mm
Y1	10 mm

## Technical Data

Attribute	Value
Nozzle size	3 mm
Degree of evacuation	85 %
Suction rate (max)	220 l/min
Suction rate (max)	13.2 m <sup>3</sup> /h
Air consumption (during evac.)	380 l/min
Air consumption (during evac.)	22.8 m <sup>3</sup> /h
Air consumption (blow off) (max)	320 l/min
Vacuum (max)	-850 mbar
Noise level (free)	72 dB
Pressure range (operating pressure)	3.0 ... 6.0 bar
Int. hose diameter (recom.) comp.-air	8 mm
Int. hose diameter (recom.) vacuum side	9 mm
Weight	0.96 kg
Ambient temperature	0 ... 50 °C
Pressure range (operating pressure)	43.5 ... 87.0 psi
Suction rate (max)	7.769 cfm
Air consumption (during evac.)	13.419 cfm
Vacuum (max)	-25.1 inHg
Product family	SXMPi

### Note:

### Contact to Schmalz

- The supply voltage for vacuum switches and solenoid valves is 24V DC
- Air consumption: At optimal operating pressure
- Hose diameter: For max. length 2 m

## Spare Parts



### SD 96x54x40 SXPi/SXMPi

Part no. 10.02.02.02124

Silencer for vacuum generators

Length L: 96 mm

Width B: 54 mm

Height H: 40 mm

for: Compact ejectors SXPi/SXMPi

## Accessories



### ASK B-M12-8 5000

Part no. 21.04.05.00079

Connection cable

Interface Connection 1:

Fem connect M12, 8 pol

Cable length: 5000 mm

Material: PUR-Cable



**GPQ1 122x46x43 SXPi/SXMPi**

Part no. 10.02.02.02473

Baseplate for the construction of ejector blocks

Length L: 122 mm

Width B: 46 mm

Height H: 43 mm

Number of connections: 1

for: Compact ejectors SXPi/SXMPi



**GPQ2 122x87x48 SXPi/SXMPi**

Part no. 10.02.02.02154

Baseplate for the construction of ejector blocks

Length L: 122 mm

Width B: 87 mm

Height H: 48 mm

Number of connections: 2

for: Compact ejectors SXPi/SXMPi