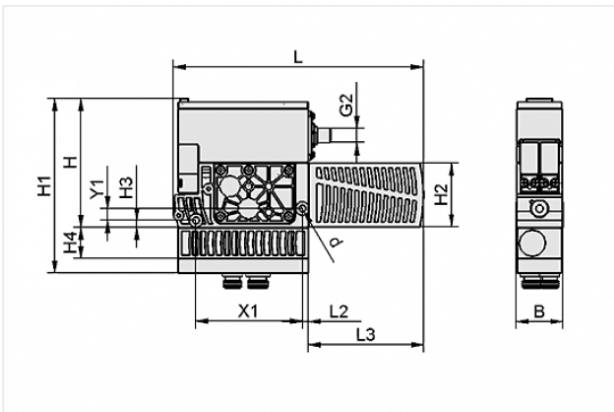


Compact ejector with Condition Monitoring and air-saving function



Nozzle size: 3,0 mm
 Control: Normally closed
 Pneum. Connection: Quick Change
 Electrical connection:
 Male connect M12, 8 pol
 Communication: IO-Link (Class A)
 Suction rate (max): 220 l/min
 Air consumption (during evac.):
 380 l/min
 Vacuum (max): 850 mbar
 Noise level (free): 72 dB
 Protection: IP 65

Design Data



Attribute	Value
B	39 mm
d	5.5 mm
G2	M12x1-M
H	108 mm
H1	120 mm
H2	54 mm
H3	6 mm
L	210 mm
L2	5 mm
L3	97 mm
X1	89 mm

Attribute	Value
Y1	10 mm

Technical Data

Attribute	Value
Nozzle size	3 mm
Degree of evacuation	85 %
Suction rate (max)	220 l/min
Suction rate (max)	13.2 m ³ /h
Air consumption (during evac.)	380 l/min
Air consumption (during evac.)	22.8 m ³ /h
Air consumption (blow off) (max)	200 l/min
Vacuum (max)	850 mbar
Noise level (free)	72 dB
Pressure range (operating pressure)	3.0 ... 6.0 bar
Int. hose diameter (recom.) comp.-air	8 mm
Int. hose diameter (recom.) vacuum side	9 mm
Weight	0.82 kg
Ambient temperature	0 ... 50 °C
Pressure range (operating pressure)	43.5 ... 87.0 psi
Suction rate (max)	7.769 cfm
Air consumption (during evac.)	13.419 cfm
Air consumption (blow off)	7.062 cfm
Vacuum (max)	25.1 inHg
Product family	SXPi

Note:

Contact to Schmalz

- The supply voltage for vacuum switches and solenoid valves is 24V DC
- Air consumption: At optimal operating pressure
- Hose diameter: For max. length 2 m

Spare Parts



SD 96x54x40 SXPi/SXMPi

Part no. 10.02.02.02124

Silencer for vacuum generators

Length L: 96 mm

Width B: 54 mm

Height H: 40 mm

for: Compact ejectors SXPi/SXMPi

Accessories



ASK B-M12-8 5000

Part no. 21.04.05.00079

Connection cable

Interface Connection 1:

Fem connect M12, 8 pol

Cable length: 5000 mm

Material: PUR-Cable



GPQ1 122x46x43 SXPi/SXMPi

Part no. 10.02.02.02473

Baseplate for the construction of ejector blocks

Length L: 122 mm

Width B: 46 mm

Height H: 43 mm

Number of connections: 1

for: Compact ejectors SXPi/SXMPi



GPQ2 122x87x48 SXPi/SXMPi

Part no. 10.02.02.02154

Baseplate for the construction of ejector blocks

Length L: 122 mm

Width B: 87 mm

Height H: 48 mm

Number of connections: 2

for: Compact ejectors SXPi/SXMPi