

# Schmalz X-Pump

## SXPi 30 NO Q M12-8

<https://www.schmalz.com/10.02.02.03781>



Part no.: 10.02.02.03781

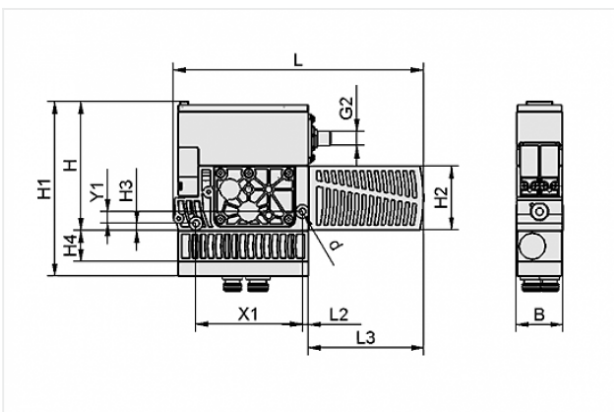
Homepage > Vacuum Technology for Automation > Vacuum Components > Vacuum Generators > Compact Ejectors > Compact Ejectors X-Pump  
SXPi / SXMPi with IO-Link > SXPi 30 NO Q M12-8

## Compact ejector with Condition Monitoring and air-saving function



Nozzle size: 3,0 mm  
Control: Normally open  
Pneum. Connection: Quick Change  
Electrical connection:  
Male connect M12, 8 pol  
Communication: IO-Link (Class A)  
Suction rate (max): 220 l/min  
Air consumption (during evac.):  
380 l/min  
Vacuum (max): 850 mbar  
Noise level (free): 72 dB  
Protection: IP 65

## Design Data



Attribute	Value
B	39 mm
d	5.5 mm
G2	M12x1-M
H	108 mm
H1	120 mm
H2	54 mm
H3	6 mm
L	210 mm
L2	5 mm
L3	97 mm
X1	89 mm

## Contact to Schmalz

J. Schmalz GmbH | Johannes-Schmalz-Straße, 72293 Glatten, Deutschland | +49 7443 2403-102 | [customercenter@schmalz.de](mailto:customercenter@schmalz.de)

Attribute	Value
Y1	10 mm

## Technical Data

Attribute	Value
Nozzle size	3 mm
Degree of evacuation	85 %
Suction rate (max)	220 l/min
Suction rate (max)	13.2 m <sup>3</sup> /h
Air consumption (during evac.)	380 l/min
Air consumption (during evac.)	22.8 m <sup>3</sup> /h
Air consumption (blow off) (max)	200 l/min
Vacuum (max)	850 mbar
Noise level (free)	72 dB
Pressure range (operating pressure)	3.0 ... 6.0 bar
Int. hose diameter (recom.) comp.-air	8 mm
Int. hose diameter (recom.) vacuum side	9 mm
Weight	0.82 kg
Ambient temperature	0 ... 50 °C
Pressure range (operating pressure)	43.5 ... 87.0 psi
Suction rate (max)	7.769 cfm
Air consumption (during evac.)	13.419 cfm
Air consumption (blow off)	7.062 cfm
Vacuum (max)	25.1 inHg
Product family	SXPi

### Note:

### Contact to Schmalz

- The supply voltage for vacuum switches and solenoid valves is 24V DC
- Air consumption: At optimal operating pressure
- Hose diameter: For max. length 2 m

## Spare Parts



### SD 96x54x40 SXPi/SXMPi

Part no. 10.02.02.02124

Silencer for vacuum generators

Length L: 96 mm

Width B: 54 mm

Height H: 40 mm

for: Compact ejectors SXPi/SXMPi

## Accessories



### ASK B-M12-8 5000

Part no. 21.04.05.00079

Connection cable

Interface Connection 1:

Fem connect M12, 8 pol

Cable length: 5000 mm

Material: PUR-Cable



**GPQ1 122x46x43 SXPi/SXMPi**

Part no. 10.02.02.02473

Baseplate for the construction of ejector blocks

Length L: 122 mm

Width B: 46 mm

Height H: 43 mm

Number of connections: 1

for: Compact ejectors SXPi/SXMPi



**GPQ2 122x87x48 SXPi/SXMPi**

Part no. 10.02.02.02154

Baseplate for the construction of ejector blocks

Length L: 122 mm

Width B: 87 mm

Height H: 48 mm

Number of connections: 2

for: Compact ejectors SXPi/SXMPi