

Schmalz X-Pump

SXMPi 25 IMP Q M12-8

<https://www.schmalz.com/10.02.02.03817>



Part no.: 10.02.02.03817

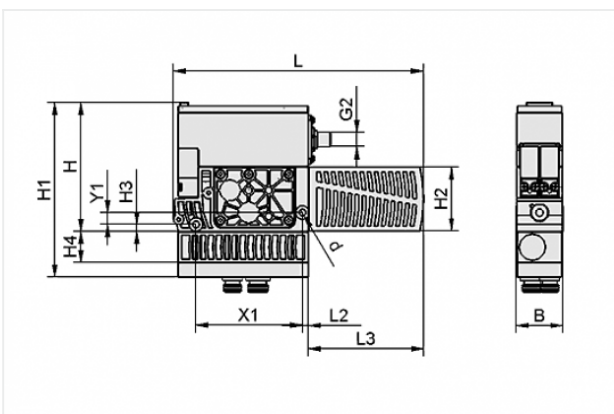
Homepage > Vacuum Technology for Automation > Vacuum Components > Vacuum Generators > Compact Ejectors > Compact Ejectors X-Pump
 SXPi / SXMPi with IO-Link > SXMPi 25 IMP Q M12-8

Compact ejector with Condition Monitoring, power blow-off function and pneu. air-saving function



Nozzle size: 2,5 mm
 Control: Double pilot valve
 Pneum. Connection: Quick Change
 Electrical connection:
 Male connect M12, 8 pol
 Suction rate (max): 185 l/min
 Air consumption (during evac.):
 290 l/min
 Communication: IO-Link (Class A)
 Vacuum (max): -850 mbar
 Noise level (free): 67 dB
 Protection: IP 65

Design Data



Attribute	Value
B	39 mm
d	5.5 mm
G2	M12x1-M
H	146 mm
H1	160 mm
H2	54 mm
H3	6 mm
L	210 mm
L2	5 mm
L3	97 mm

Contact to Schmalz

J. Schmalz GmbH | Johannes-Schmalz-Straße, 72293 Glatten, Deutschland | +49 7443 2403-102 | customercenter@schmalz.de

Attribute	Value
X1	89 mm
Y1	10 mm

Technical Data

Attribute	Value
Nozzle size	2.5 mm
Degree of evacuation	85 %
Suction rate (max)	185 l/min
Suction rate (max)	11.1 m ³ /h
Air consumption (during evac.)	290 l/min
Air consumption (during evac.)	17.4 m ³ /h
Air consumption (blow off) (max)	320 l/min
Vacuum (max)	-850 mbar
Noise level (free)	67 dB
Pressure range (operating pressure)	3.0 ... 6.0 bar
Int. hose diameter (recom.) comp.-air	8 mm
Int. hose diameter (recom.) vacuum side	9 mm
Weight	0.96 kg
Ambient temperature	0 ... 50 °C
Pressure range (operating pressure)	43.5 ... 87.0 psi
Suction rate (max)	6.533 cfm
Air consumption (during evac.)	10.241 cfm
Vacuum (max)	-25.1 inHg
Product family	SXMPi

Note:

Contact to Schmalz

- The supply voltage for vacuum switches and solenoid valves is 24V DC
- Air consumption: At optimal operating pressure
- Hose diameter: For max. length 2 m

Spare Parts



SD 96x54x40 SXPi/SXMPi

Part no. 10.02.02.02124

Silencer for vacuum generators

Length L: 96 mm

Width B: 54 mm

Height H: 40 mm

for: Compact ejectors SXPi/SXMPi

Accessories



ASK B-M12-8 5000

Part no. 21.04.05.00079

Connection cable

Interface Connection 1:

Fem connect M12, 8 pol

Cable length: 5000 mm

Material: PUR-Cable



GPQ1 122x46x43 SXPi/SXMPi

Part no. 10.02.02.02473

Baseplate for the construction of ejector blocks

Length L: 122 mm

Width B: 46 mm

Height H: 43 mm

Number of connections: 1

for: Compact ejectors SXPi/SXMPi



GPQ2 122x87x48 SXPi/SXMPi

Part no. 10.02.02.02154

Baseplate for the construction of ejector blocks

Length L: 122 mm

Width B: 87 mm

Height H: 48 mm

Number of connections: 2

for: Compact ejectors SXPi/SXMPi