

# Schmalz X-Pump

## SXMPi 25 NC H M12-8

<https://www.schmalz.com/10.02.02.03808>



Part no.: 10.02.02.03808

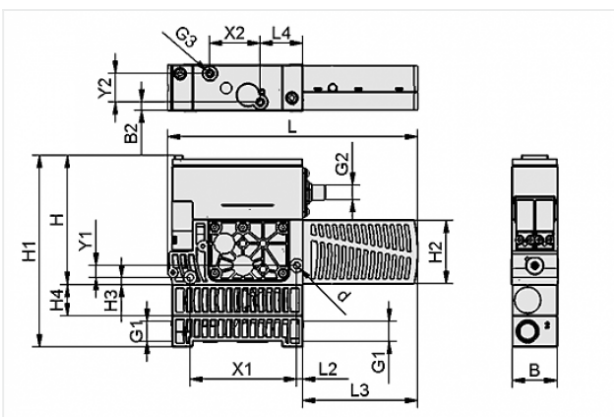
Homepage > Vacuum Technology for Automation > Vacuum Components > Vacuum Generators > Compact Ejectors > Compact Ejectors X-Pump  
 SXPi / SXMPi with IO-Link > SXMPi 25 NC H M12-8

### Compact ejector with Condition Monitoring, power blow-off function and pneu. air-saving function



Nozzle size: 2,5 mm  
 Control: Normally closed  
 Pneum. Connection: Horizontal  
 Electrical connection:  
 Male connect M12, 8 pol  
 Suction rate (max): 185 l/min  
 Air consumption (during evac.):  
 290 l/min  
 Communication: IO-Link (Class A)  
 Vacuum (max): -850 mbar  
 Noise level (free): 67 dB  
 Protection: IP 65

### Design Data



Attribute	Value
B	39 mm
B2	6.8 mm
d	5.5 mm
G1	G3/8"-F
G2	M12x1-M
G3	M5-F
H	160 mm
H1	160 mm
H2	54 mm
H3	6 mm

### Contact to Schmalz

J. Schmalz GmbH | Johannes-Schmalz-Straße, 72293 Glatten, Deutschland | +49 7443 2403-102 | [customercenter@schmalz.de](mailto:customercenter@schmalz.de)

Attribute	Value
L	210 mm
L2	5 mm
L3	97 mm
L4	35.5 mm
X1	89 mm
X2	42 mm
Y1	10 mm
Y2	24 mm

## Technical Data

Attribute	Value
Nozzle size	2.5 mm
Degree of evacuation	85 %
Suction rate (max)	185 l/min
Suction rate (max)	11.1 m <sup>3</sup> /h
Air consumption (during evac.)	290 l/min
Air consumption (during evac.)	17.4 m <sup>3</sup> /h
Air consumption (blow off) (max)	320 l/min
Vacuum (max)	-850 mbar
Noise level (free)	67 dB
Pressure range (operating pressure)	3.0 ... 6.0 bar
Int. hose diameter (recom.) comp.-air	8 mm
Int. hose diameter (recom.) vacuum side	9 mm
Weight	0.91 kg
Ambient temperature	0 ... 50 °C

### Contact to Schmalz

Attribute	Value
Pressure range (operating pressure)	43.5 ... 87.0 psi
Suction rate (max)	6.533 cfm
Air consumption (during evac.)	10.241 cfm
Vacuum (max)	-25.1 inHg
Product family	SXMPi

**Note:**

- The supply voltage for vacuum switches and solenoid valves is 24V DC
- Air consumption: At optimal operating pressure
- Hose diameter: For max. length 2 m

**Spare Parts**



**SD 96x54x40 SXPi/SXMPi**

Part no. 10.02.02.02124

Silencer for vacuum generators

Length L: 96 mm

Width B: 54 mm

Height H: 40 mm

for: Compact ejectors SXPi/SXMPi

**Accessories**



**ASK B-M12-8 5000**

Part no. 21.04.05.00079

Connection cable

Interface Connection 1:

Fem connect M12, 8 pol

Cable length: 5000 mm

Material: PUR-Cable

**Contact to Schmalz**

