

Schmalz X-Pump

SXPi 25 NO H 2xM12-5

<https://www.schmalz.com/10.02.02.03778>



Part no.: 10.02.02.03778

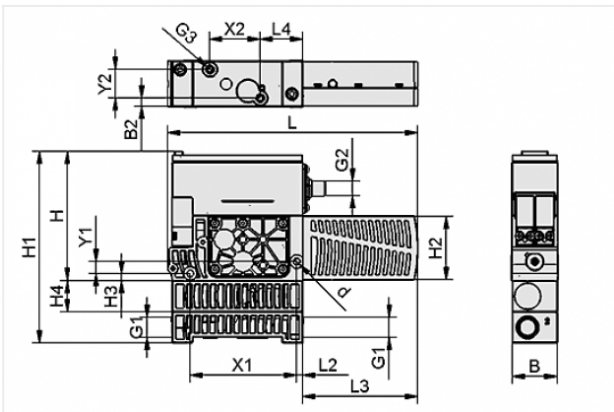
Homepage > Vacuum Technology for Automation > Vacuum Components > Vacuum Generators > Compact Ejectors > Compact Ejectors X-Pump
SXPi / SXMPi with IO-Link > SXPi 25 NO H 2xM12-5

Compact ejector with Condition Monitoring and air-saving function



Nozzle size: 2,5 mm
 Control: Normally open
 Pneum. Connection: Horizontal
 Electrical connection:
 2xConnect M12, 5+5 pol
 Communication: IO-Link (Class A)
 Suction rate (max): 185 l/min
 Air consumption (during evac.):
 290 l/min
 Vacuum (max): 850 mbar
 Noise level (free): 67 dB
 Protection: IP 65

Design Data



Attribute	Value
B	39 mm
B2	6.8 mm
d	5.5 mm
G1	G3/8"-F
G2	M12x1-M
G3	M5-F
H	108 mm
H1	134 mm
H2	54 mm
H3	6 mm
L	210 mm

Contact to Schmalz

J. Schmalz GmbH | Johannes-Schmalz-Straße, 72293 Glatten, Deutschland | +49 7443 2403-102 | customercenter@schmalz.de

Attribute	Value
L2	5 mm
L3	97 mm
L4	35.5 mm
X1	89 mm
X2	42 mm
Y1	10 mm
Y2	24 mm

Technical Data

Attribute	Value
Nozzle size	2.5 mm
Degree of evacuation	85 %
Suction rate (max)	185 l/min
Suction rate (max)	11.1 m ³ /h
Air consumption (during evac.)	290 l/min
Air consumption (during evac.)	17.4 m ³ /h
Air consumption (blow off) (max)	200 l/min
Vacuum (max)	850 mbar
Noise level (free)	67 dB
Pressure range (operating pressure)	3.0 ... 6.0 bar
Int. hose diameter (recom.) comp.-air	8 mm
Int. hose diameter (recom.) vacuum side	9 mm
Weight	0.77 kg
Ambient temperature	0 ... 50 °C
Pressure range (operating pressure)	43.5 ... 87.0 psi

Contact to Schmalz

Attribute	Value
Suction rate (max)	6.533 cfm
Air consumption (during evac.)	10.241 cfm
Air consumption (blow off)	7.062 cfm
Vacuum (max)	25.1 inHg
Product family	SXPi

Note:

- The supply voltage for vacuum switches and solenoid valves is 24V DC
- Air consumption: At optimal operating pressure
- Hose diameter: For max. length 2 m

Spare Parts



SD 96x54x40 SXPi/SXMPi

Part no. 10.02.02.02124

Silencer for vacuum generators

Length L: 96 mm

Width B: 54 mm

Height H: 40 mm

for: Compact ejectors SXPi/SXMPi

Accessories



ASK B-M12-5 5000

Part no. 21.04.05.00080

Connection cable

Interface Connection cable:

Fem connect M12, 5 pol

Cable length: 5000 mm

Material: PUR-Cable

Contact to Schmalz

