

Schmalz X-Pump

SXMPi 25 NO Q M12-8

<https://www.schmalz.com/10.02.02.03801>



Part no.: 10.02.02.03801

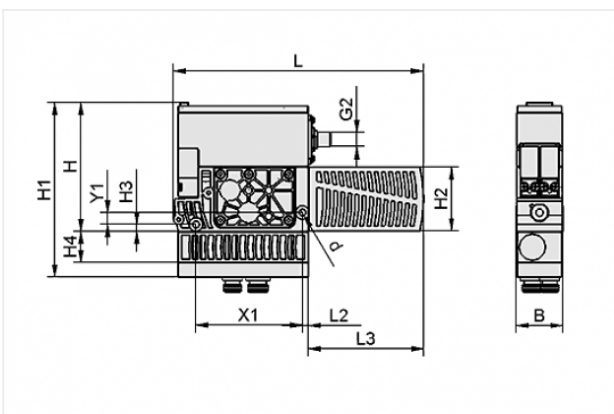
Homepage > Vacuum Technology for Automation > Vacuum Components > Vacuum Generators > Compact Ejectors > Compact Ejectors X-Pump
 SXPi / SXMPi with IO-Link > SXMPi 25 NO Q M12-8

Compact ejector with Condition Monitoring, power blow-off function and pneu. air-saving function



Nozzle size: 2,5 mm
 Control: Normally open
 Pneum. Connection: Quick Change
 Electrical connection:
 Male connect M12, 8 pol
 Suction rate (max): 185 l/min
 Air consumption (during evac.):
 290 l/min
 Communication: IO-Link (Class A)
 Vacuum (max): -850 mbar
 Noise level (free): 67 dB
 Protection: IP 65

Design Data



| Attribute | Value |
|-----------|---------|
| B | 39 mm |
| d | 5.5 mm |
| G2 | M12x1-M |
| H | 146 mm |
| H1 | 160 mm |
| H2 | 54 mm |
| H3 | 6 mm |
| L | 210 mm |
| L2 | 5 mm |
| L3 | 97 mm |

Contact to Schmalz

J. Schmalz GmbH | Johannes-Schmalz-Straße, 72293 Glatten, Deutschland | +49 7443 2403-102 | customercenter@schmalz.de

| Attribute | Value |
|-----------|-------|
| X1 | 89 mm |
| Y1 | 10 mm |

Technical Data

| Attribute | Value |
|---|------------------------|
| Nozzle size | 2.5 mm |
| Degree of evacuation | 85 % |
| Suction rate (max) | 185 l/min |
| Suction rate (max) | 11.1 m ³ /h |
| Air consumption (during evac.) | 290 l/min |
| Air consumption (during evac.) | 17.4 m ³ /h |
| Air consumption (blow off) (max) | 320 l/min |
| Vacuum (max) | -850 mbar |
| Noise level (free) | 67 dB |
| Pressure range (operating pressure) | 3.0 ... 6.0 bar |
| Int. hose diameter (recom.) comp.-air | 8 mm |
| Int. hose diameter (recom.) vacuum side | 9 mm |
| Weight | 0.96 kg |
| Ambient temperature | 0 ... 50 °C |
| Pressure range (operating pressure) | 43.5 ... 87.0 psi |
| Suction rate (max) | 6.533 cfm |
| Air consumption (during evac.) | 10.241 cfm |
| Vacuum (max) | -25.1 inHg |
| Product family | SXMPi |

Note:

Contact to Schmalz

- The supply voltage for vacuum switches and solenoid valves is 24V DC
- Air consumption: At optimal operating pressure
- Hose diameter: For max. length 2 m

Spare Parts



SD 96x54x40 SXPi/SXMPi

Part no. 10.02.02.02124

Silencer for vacuum generators

Length L: 96 mm

Width B: 54 mm

Height H: 40 mm

for: Compact ejectors SXPi/SXMPi

Accessories



ASK B-M12-8 5000

Part no. 21.04.05.00079

Connection cable

Interface Connection 1:

Fem connect M12, 8 pol

Cable length: 5000 mm

Material: PUR-Cable



GPQ1 122x46x43 SXPi/SXMPi

Part no. 10.02.02.02473

Baseplate for the construction of ejector blocks

Length L: 122 mm

Width B: 46 mm

Height H: 43 mm

Number of connections: 1

for: Compact ejectors SXPi/SXMPi



GPQ2 122x87x48 SXPi/SXMPi

Part no. 10.02.02.02154

Baseplate for the construction of ejector blocks

Length L: 122 mm

Width B: 87 mm

Height H: 48 mm

Number of connections: 2

for: Compact ejectors SXPi/SXMPi