

# Compact ejector

## SCP 30 FS VD

<https://www.schmalz.com/10.02.02.00911>



Part no.: 10.02.02.00911

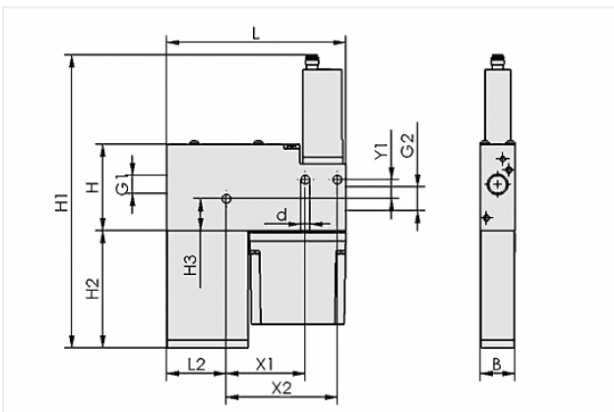
Homepage > Vacuum Technology for Automation > Vacuum Components > Vacuum Generators > Compact Ejectors > Compact Ejectors SCP-FS > SCP 30 FS VD

## Compact ejector with integrated functions



Nozzle size: 3,0 mm  
Suction rate (max): 200 l/min  
Air consumption (during evac.):  
420 l/min  
Control: External control  
with: digital vacuum switch

## Design Data



| Attribute | Value    |
|-----------|----------|
| B         | 22 mm    |
| d         | 5.5 mm   |
| G1        | G1/4"-F  |
| G2        | G3/8"-F  |
| H         | 54 mm    |
| H1        | 183.5 mm |
| H2        | 73.5 mm  |
| H3        | 20.1 mm  |
| L         | 112.5 mm |
| L2        | 37.5 mm  |
| X1        | 49.5 mm  |
| X2        | 69.5 mm  |
| Y1        | 12 mm    |

## Contact to Schmalz

J. Schmalz GmbH | Johannes-Schmalz-Straße, 72293 Glatten, Deutschland | +49 7443 2403-102 | [customercenter@schmalz.de](mailto:customercenter@schmalz.de)

## Technical Data

| Attribute                               | Value                  |
|---|------------------------|
| Nozzle diameter                         | 3 mm                   |
| Degree of evacuation                    | 85 %                   |
| Suction rate (max)                      | 200 l/min              |
| Suction rate (max)                      | 12 m <sup>3</sup> /h   |
| Air consumption (during evac.)          | 420 l/min              |
| Air consumption (during evac.)          | 25.2 m <sup>3</sup> /h |
| Air consumption (blow off) (max)        | 200 l/min              |
| Noise level (workp. gripped)            | 82 dB                  |
| Noise level (free)                      | 82 dB                  |
| Pressure range (operating pressure)     | 5.0 ... 6.0 bar        |
| Int. hose diameter (recom.) comp.-air   | 6 mm                   |
| Int. hose diameter (recom.) vacuum side | 12 mm                  |
| Weight                                  | 0.41 kg                |
| Ambient temperature                     | 0 ... 45 °C            |
| Control                                 | External control       |
| Pressure range (operating pressure)     | 72.5 ... 87.0 psi      |
| Suction rate (max)                      | 7.062 cfm              |
| Air consumption (during evac.)          | 14.831 cfm             |
| Air consumption (blow off)              | 7.062 cfm              |
| Product family                          | SCP                    |

### Note:

- The supply voltage for vacuum switches and solenoid valves is 24V DC
- Air consumption: At optimal operating pressure
- Hose diameter: For max. length 2 m

### Contact to Schmalz

## Spare Parts



### **SD 50.5x21x68.5 SMP/SCP25/30**

Part no. 10.02.02.00652

Silencer for vacuum generators

Length L: 50.5 mm

Width B: 21 mm

Height H: 68.5 mm

for: Compact ejectors SMP/SCP



### **FILT-EINS 14x49 PE-POR SCP-SMP**

Part no. 10.02.02.00654

Filter insert (round)

External diameter D: 14 mm

Length L: 49 mm

Filter material: Polyethylene

for: Compact ejectors

## Accessories



### **ASK B-M8-4 5000 K-4P**

Part no. 10.06.02.00031

Connection cable

Interface Connection cable:

Fem connect M8, 4 pol

Cable length: 5000 mm

Interface Connection cable: Cable 4

Material: PUR-Cable

