

Compact ejector

SCP 25 FS

<https://www.schmalz.com/10.02.02.00904>



Part no.: 10.02.02.00904

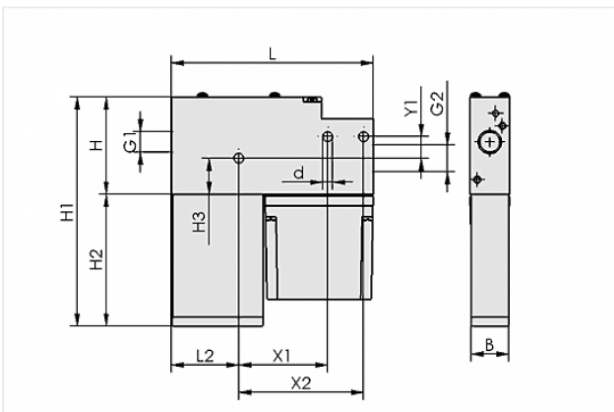
Homepage > Vacuum Technology for Automation > Vacuum Components > Vacuum Generators > Compact Ejectors > Compact Ejectors SCP-FS > SCP 25 FS

Compact ejector with integrated functions



Nozzle size: 2,5 mm
Suction rate (max): 161 l/min
Air consumption (during evac.):
310 l/min
Control: External control

Design Data



Attribute	Value
B	22 mm
d	5.5 mm
G1	G1/4"-F
G2	G3/8"-F
H	54 mm
H1	127.5 mm
H2	73.5 mm
H3	20.1 mm
L	112.5 mm
L2	37.5 mm
X1	49.5 mm
X2	69.5 mm
Y1	12 mm

Contact to Schmalz

J. Schmalz GmbH | Johannes-Schmalz-Straße, 72293 Glatten, Deutschland | +49 7443 2403-102 | customercenter@schmalz.de

Technical Data

Attribute	Value
Nozzle diameter	2.5 mm
Degree of evacuation	85 %
Suction rate (max)	161 l/min
Suction rate (max)	9.7 m ³ /h
Air consumption (during evac.)	310 l/min
Air consumption (during evac.)	18.6 m ³ /h
Air consumption (blow off) (max)	200 l/min
Noise level (workp. gripped)	72 dB
Noise level (free)	82 dB
Pressure range (operating pressure)	5.0 ... 6.0 bar
Int. hose diameter (recom.) comp.-air	6 mm
Int. hose diameter (recom.) vacuum side	9 mm
Weight	0.41 kg
Ambient temperature	0 ... 45 °C
Control	External control
Pressure range (operating pressure)	72.5 ... 87.0 psi
Suction rate (max)	5.685 cfm
Air consumption (during evac.)	10.947 cfm
Air consumption (blow off)	7.062 cfm
Product family	SCP

Note:

- The supply voltage for vacuum switches and solenoid valves is 24V DC
- Air consumption: At optimal operating pressure
- Hose diameter: For max. length 2 m

Contact to Schmalz

Spare Parts



SD 50.5x21x68.5 SMP/SCP25/30

Part no. 10.02.02.00652

Silencer for vacuum generators

Length L: 50.5 mm

Width B: 21 mm

Height H: 68.5 mm

for: Compact ejectors SMP/SCP



FILT-EINS 14x49 PE-POR SCP-SMP

Part no. 10.02.02.00654

Filter insert (round)

External diameter D: 14 mm

Length L: 49 mm

Filter material: Polyethylene

for: Compact ejectors