

Compact ejector

SCP 10 FS

<https://www.schmalz.com/10.02.02.00893>



Part no.: 10.02.02.00893

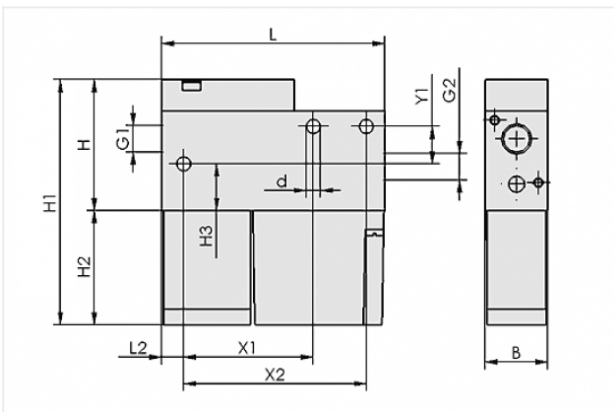
Homepage > Vacuum Technology for Automation > Vacuum Components > Vacuum Generators > Compact Ejectors > Compact Ejectors SCP-FS > SCP 10 FS

Compact ejector with integrated functions



Nozzle size: 1,0 mm
Suction rate (max): 37 l/min
Air consumption (during evac.):
53 l/min
Control: External control

Design Data



Attribute	Value
B	20.2 mm
d	4.5 mm
G1	G1/8"-F
G2	G1/8"-F
H	42.5 mm
H1	79 mm
H2	36.5 mm
H3	15 mm
L	71.5 mm
L2	7 mm
X1	41.5 mm
X2	58.5 mm
Y1	12 mm

Contact to Schmalz

J. Schmalz GmbH | Johannes-Schmalz-Straße, 72293 Glatten, Deutschland | +49 7443 2403-102 | customercenter@schmalz.de

Technical Data

Attribute	Value
Nozzle diameter	1 mm
Degree of evacuation	85 %
Suction rate (max)	37 l/min
Suction rate (max)	2.2 m ³ /h
Air consumption (during evac.)	53 l/min
Air consumption (during evac.)	3.2 m ³ /h
Air consumption (blow off) (max)	200 l/min
Noise level (workp. gripped)	66 dB
Noise level (free)	68 dB
Pressure optimal	5 bar
Int. hose diameter (recom.) comp.-air	2 mm
Int. hose diameter (recom.) vacuum side	4 mm
Weight	0.25 kg
Ambient temperature	0 ... 45 °C
Control	External control
Pressure optimal	72.5 psi
Suction rate (max)	1.306 cfm
Air consumption (during evac.)	1.871 cfm
Air consumption (blow off)	7.062 cfm
Product family	SCP

Note:

- The supply voltage for vacuum switches and solenoid valves is 24V DC
- Air consumption: At optimal operating pressure
- Hose diameter: For max. length 2 m

Contact to Schmalz

Spare Parts



SD 28x19x31.5 SCP10/15

Part no. 10.02.02.00653

Silencer for vacuum generators

Length L: 28 mm

Width B: 19 mm

Height H: 31.5 mm

for: Compact ejectors SCP



FILT-EINS 13x33 PE-POR SCP

Part no. 10.02.02.00655

Filter insert (round)

External diameter D: 13 mm

Length L: 33 mm

Filter material: Polyethylene

for: Compact ejectors SCP