

# Compact ejector

## SCP 30 NC AS RD

<https://www.schmalz.com/10.02.02.00789>



Part no.: 10.02.02.00789

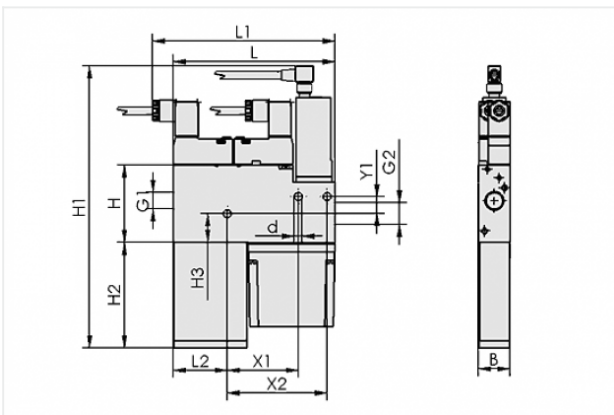
Homepage > Vacuum Technology for Automation > Vacuum Components > Vacuum Generators > Compact Ejectors > Compact Ejectors SCP / SMP > SCP 30 NC AS RD

### Compact ejector with integrated functions



Nozzle size: 3,0 mm  
 Suction rate (max): 200 l/min  
 Air consumption (during evac.): 420 l/min  
 Control: Normally closed  
 Shape: With blow-off system with: digital air-saving function

### Design Data



Attribute	Value
B	22 mm
d	5.5 mm
G1	G1/4"-F
G2	G3/8"-F
H	54 mm
H1	196.5 mm
H2	73.5 mm
H3	20.1 mm
L	112.5 mm
L1	127 mm
L2	37.5 mm
X1	49.5 mm
X2	69.5 mm

### Contact to Schmalz

J. Schmalz GmbH | Johannes-Schmalz-Straße, 72293 Glatten, Deutschland | +49 7443 2403-102 | [customercenter@schmalz.de](mailto:customercenter@schmalz.de)

Attribute	Value
Y1	12 mm

## Technical Data

Attribute	Value
Nozzle diameter	3 mm
Degree of evacuation	85 %
Suction rate (max)	200 l/min
Suction rate (max)	12 m <sup>3</sup> /h
Air consumption (during evac.)	420 l/min
Air consumption (during evac.)	25.2 m <sup>3</sup> /h
Air consumption (blow off) (max)	200 l/min
Noise level (workp. gripped)	82 dB
Noise level (free)	82 dB
Pressure range (operating pressure)	5.0 ... 6.0 bar
Int. hose diameter (recom.) comp.-air	9 mm
Int. hose diameter (recom.) vacuum side	11 mm
Weight	0.485 kg
Ambient temperature	0 ... 45 °C
Control	Normally closed
Pressure range (operating pressure)	72.5 ... 87.0 psi
Suction rate (max)	7.062 cfm
Air consumption (during evac.)	14.831 cfm
Air consumption (blow off)	7.062 cfm
Product family	SCP

### Note:

### Contact to Schmalz

- The supply voltage for vacuum switches and solenoid valves is 24V DC
- Air consumption: At optimal operating pressure
- Hose diameter: For max. length 2 m

---

## Spare Parts



### **SD 50.5x21x68.5 SMP/SCP25/30**

Part no. 10.02.02.00652

Silencer for vacuum generators

Length L: 50.5 mm

Width B: 21 mm

Height H: 68.5 mm

for: Compact ejectors SMP/SCP



### **FILT-EINS 14x49 PE-POR SCP-SMP**

Part no. 10.02.02.00654

Filter insert (round)

External diameter D: 14 mm

Length L: 49 mm

Filter material: Polyethylene

for: Compact ejectors