

# Compact ejector

## SCP 20 NO AS RP

<https://www.schmalz.com/10.02.02.01625>



Part no.: 10.02.02.01625

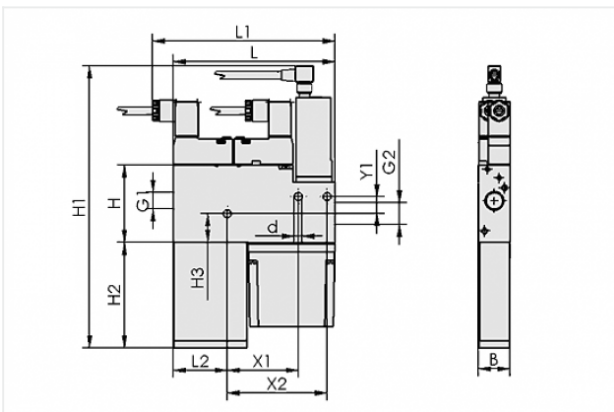
Homepage > Vacuum Technology for Automation > Vacuum Components > Vacuum Generators > Compact Ejectors > Compact Ejectors SCP / SMP > SCP 20 NO AS RP

## Compact ejector with integrated functions



Nozzle size: 2,0 mm  
Suction rate (max): 116 l/min  
Air consumption (during evac.):  
190 l/min  
Control: Normally open  
Shape: With blow-off system  
with: pneum. air-saving function

## Design Data



Attribute	Value
B	25 mm
d	5.5 mm
G1	G1/4"-F
G2	G3/8"-F
H	77 mm
H1	132.5 mm
H2	73.5 mm
H3	20.1 mm
L	112.5 mm
L1	118 mm
L2	37.5 mm
X1	49.5 mm
X2	69.5 mm

## Contact to Schmalz

J. Schmalz GmbH | Johannes-Schmalz-Straße, 72293 Glatten, Deutschland | +49 7443 2403-102 | [customercenter@schmalz.de](mailto:customercenter@schmalz.de)

Attribute	Value
Y1	12 mm

## Technical Data

Attribute	Value
Nozzle diameter	2 mm
Degree of evacuation	85 %
Suction rate (max)	116 l/min
Suction rate (max)	7 m <sup>3</sup> /h
Air consumption (during evac.)	190 l/min
Air consumption (during evac.)	11.4 m <sup>3</sup> /h
Air consumption (blow off) (max)	539 l/min
Noise level (workp. gripped)	76 dB
Noise level (free)	78 dB
Pressure range (operating pressure)	5.0 ... 6.0 bar
Int. hose diameter (recom.) comp.-air	4 mm
Int. hose diameter (recom.) vacuum side	9 mm
Weight	0.465 kg
Ambient temperature	0 ... 45 °C
Control	Normally open
Pressure range (operating pressure)	72.5 ... 87.0 psi
Suction rate (max)	4.096 cfm
Air consumption (during evac.)	6.709 cfm
Air consumption (blow off)	19.011 cfm
Product family	SCP

### Note:

### Contact to Schmalz

- The supply voltage for vacuum switches and solenoid valves is 24V DC
  - Air consumption: At optimal operating pressure
  - Hose diameter: For max. length 2 m
- 

## Spare Parts



### **FILT-EINS 14x49 PE-POR SCP-SMP**

Part no. 10.02.02.00654

Filter insert (round)

External diameter D: 14 mm

Length L: 49 mm

Filter material: Polyethylene

for: Compact ejectors

---