

Compact ejector

SCP 20 NO AS VD

Part no.: 10.02.02.00627

<https://www.schmalz.com/10.02.02.00627>



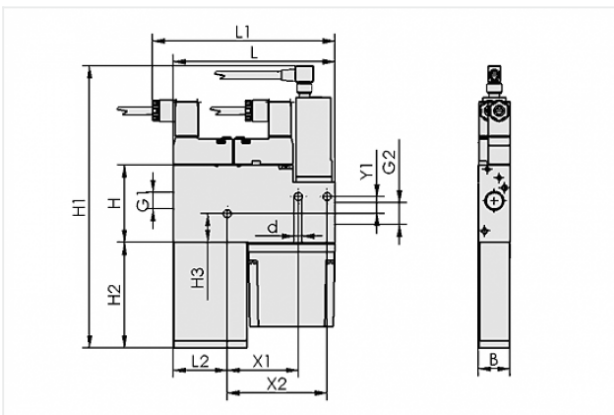
Homepage > Vacuum Technology for Automation > Vacuum Components > Vacuum Generators > Compact Ejectors > Compact Ejectors SCP / SMP > SCP 20 NO AS VD

Compact ejector with integrated functions



Nozzle size: 2,0 mm
Suction rate (max): 116 l/min
Air consumption (during evac.):
190 l/min
Control: Normally open
Shape: With blow-off system
with: digital vacuum switch

Design Data



Attribute	Value
B	22 mm
d	5.5 mm
G1	G1/4"-F
G2	G3/8"-F
H	54 mm
H1	181.5 mm
H2	58.5 mm
H3	20.1 mm
L	112.5 mm
L1	127 mm
L2	37.5 mm
X1	49.5 mm
X2	69.5 mm

Contact to Schmalz

J. Schmalz GmbH | Johannes-Schmalz-Straße, 72293 Glatten, Deutschland | +49 7443 2403-102 | customercenter@schmalz.de

Attribute	Value
Y1	12 mm

Technical Data

Attribute	Value
Nozzle diameter	2 mm
Degree of evacuation	85 %
Suction rate (max)	116 l/min
Suction rate (max)	7 m ³ /h
Air consumption (during evac.)	190 l/min
Air consumption (during evac.)	11.4 m ³ /h
Air consumption (blow off) (max)	200 l/min
Noise level (workp. gripped)	76 dB
Noise level (free)	78 dB
Pressure range (operating pressure)	5.0 ... 6.0 bar
Int. hose diameter (recom.) comp.-air	4 mm
Int. hose diameter (recom.) vacuum side	9 mm
Weight	0.465 kg
Ambient temperature	0 ... 45 °C
Control	Normally open
Pressure range (operating pressure)	72.5 ... 87.0 psi
Suction rate (max)	4.096 cfm
Air consumption (during evac.)	6.709 cfm
Air consumption (blow off)	7.062 cfm
Product family	SCP

Note:

Contact to Schmalz

- The supply voltage for vacuum switches and solenoid valves is 24V DC
- Air consumption: At optimal operating pressure
- Hose diameter: For max. length 2 m

Spare Parts



SD 50.5x21x53.5 SMP15/20

Part no. 10.02.02.00651
Silencer for vacuum generators
Length L: 50.5 mm
Width B: 21 mm
Height H: 53.5 mm
for: Compact ejectors SMP



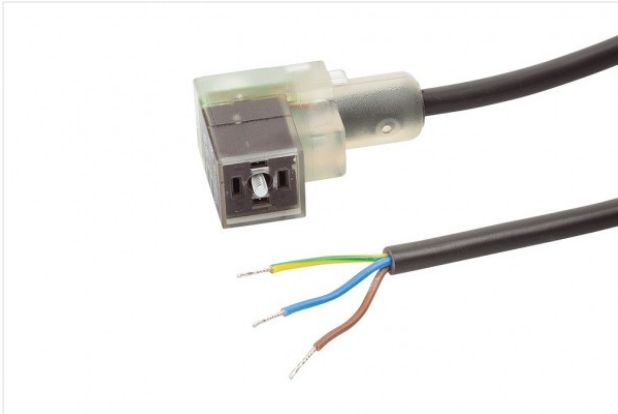
FILT-EINS 14x49 PE-POR SCP-SMP

Part no. 10.02.02.00654
Filter insert (round)
External diameter D: 14 mm
Length L: 49 mm
Filter material: Polyethylene
for: Compact ejectors

Accessories

Contact to Schmalz

J. Schmalz GmbH | Johannes-Schmalz-Straße, 72293 Glatten, Deutschland | +49 7443 2403-102 |
customercenter@schmalz.de



ASK B-Form-C 5000 K-3P

Part no. 21.04.06.00084

Connection cable

Interface Connection 1:

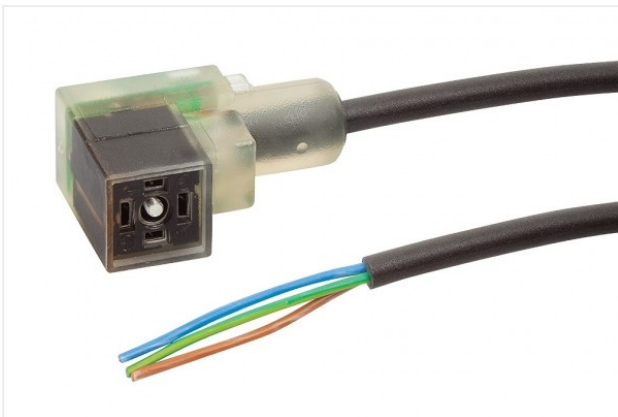
Fem connect Form C

Cable length: 5000 mm

Interface Connection 2: Cable 3

Material: PVC-Cable

Shape: LED display



ASK 10000 K-3P

Part no. 21.04.06.00118

Connection cable

Cable length: 10000 mm

Interface Connection 2: Cable 3

Material: PUR-Cable

Shape: LED display



ASS B-C SK

Part no. 21.04.06.00085

Connection plug

Interface Connection 1:

Socket DIN 175301-803A

Electrical connection: Screw contact



ASK B-M8-4 5000 K-4P

Part no. 10.06.02.00031

Connection cable

Interface Connection cable:

Fem connect M8, 4 pol

Cable length: 5000 mm

Interface Connection cable: Cable 4

Material: PUR-Cable



ASK WB-M8-4 5000 K-4P

Part no. 10.06.02.00032

Connection cable

Interface Connection cable:

Elbow fem con M8, 4 pol

Cable length: 5000 mm

Interface Connection cable: Cable 4

Material: PUR-Cable