

Ejector tester

EJEK-TEST SMPi/SCPi

<https://www.schmalz.com/10.02.02.03588>



Part no.: 10.02.02.03588

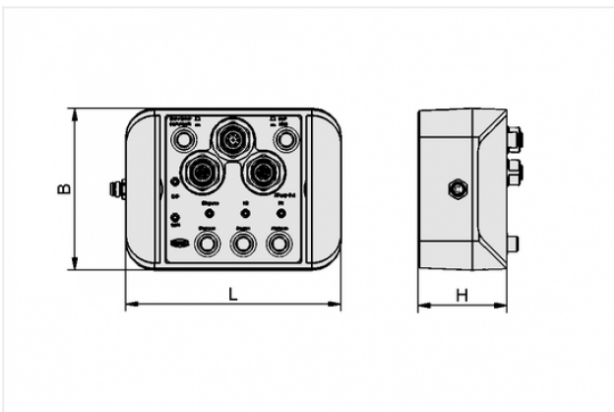
Homepage > Vacuum Technology for Automation > Vacuum Components > Filters and Connections > Vacuum Accessories > Service and installation products > EJEK-TEST SMPi/SCPi

Ejector tester



for: Compact ejectors SMPi/SCPi

Design Data



Attribute	Value
B	90 mm
H	50 mm
L	120 mm

Technical Data

Attribute	Value
for	Compact ejectors SMPi/SCPi
Weight	781.1 g

Contact to Schmalz

J. Schmalz GmbH | Johannes-Schmalz-Straße, 72293 Glatten, Deutschland | +49 7443 2403-102 | customercenter@schmalz.de



[Contact to Schmalz](#)

J. Schmalz GmbH | Johannes-Schmalz-Straße, 72293 Glatten, Deutschland | +49 7443 2403-102 |
customercenter@schmalz.de