

Compact ejector

SCPS 15 G02 M12-5 NC PNP

<https://www.schmalz.com/10.02.02.04116>



Part no.: 10.02.02.04116

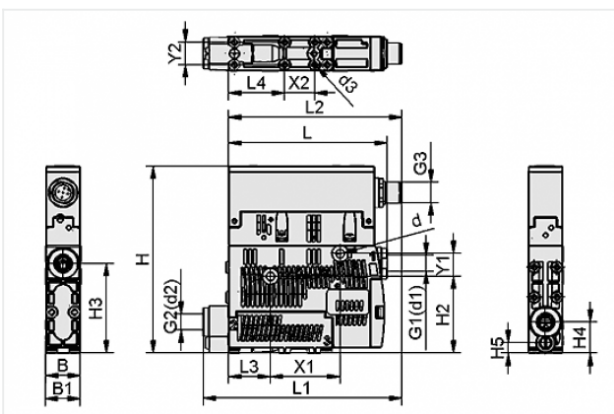
Homepage > Vacuum Technology for Automation > Vacuum Components > Vacuum Generators > Compact Ejectors > Compact Ejectors SCPS / SCPSi > SCPS 15 G02 M12-5 NC PNP

Compact ejector



Nozzle size: 1,5 mm
 Connection: G1/8"(1)-G1/8"(2)
 Electrical connection:
 Male connect M12, 5 pol
 Suction rate (max): 65.5 l/min
 Air consumption (during evac.):
 98 l/min
 Noise level (free): 75 dB
 Pressure range (operating pressure):
 2.0 ... 6.0 bar
 Vacuum (max): -850 mbar
 Control: Normally closed
 with: digital air-saving function
 Type: Switches to plus
 Protection: IP 65 (with plug)

Design Data



Attribute Value

Attribute	Value
B	18 mm
B1	18.6 mm
d	4.4 mm
d3	2.6 mm
G1	G1/8"-F
G2	G1/8"-F
G3	M12x1-M
H	99 mm
H2	40.8 mm

Contact to Schmalz

J. Schmalz GmbH | Johannes-Schmalz-Straße, 72293 Glatten, Deutschland | +49 7443 2403-102 | customercenter@schmalz.de

Attribute	Value
H3	47.5 mm
H4	16.5 mm
H5	5.5 mm
L	83.8 mm
L1	105 mm
L2	91.5 mm
L3	22 mm
L4	29.5 mm
X1	36.9 mm
X2	16 mm
Y1	12 mm
Y2	12 mm

Technical Data

Attribute	Value
Nozzle size	1.5 mm
Degree of evacuation	85 %
Suction rate (max)	4.03 m ³ /h
Suction rate (max)	65.5 l/min
Air consumption (during evac.)	6.03 m ³ /h
Air consumption (during evac.)	98 l/min
Air consumption (blow off)	7.25 m ³ /h
Air consumption (blow off) (max)	118 l/min
Noise level (free)	75 dB
Noise level (workp. gripped)	65 dB

Contact to Schmalz

Attribute	Value
Pressure range (operating pressure)	2.0 ... 6.0 bar
Int. hose diameter (recom.) comp.-air	4 mm
Int. hose diameter (recom.) vacuum side	6 mm
Weight	0.195 kg
Ambient temperature	0 ... 50 °C
Pressure range (operating pressure)	29.0 ... 87.0 psi
Suction rate (max)	2.313 cfm
Air consumption (during evac.)	3.46 cfm
Air consumption (blow off)	4.267 cfm
Vacuum (max)	-25.1 inHg
Product family	SCPS

Accessories



ASK B-M12-5 5000

Part no. 21.04.05.00080

Connection cable

Interface Connection cable:

Fem connect M12, 5 pol

Cable length: 5000 mm

Material: PUR-Cable



ASV SMPI/SCPI 2xS-M12-4

Part no. 10.02.02.03490

Connection distributor

for: Ejector SMPI/SCPI

Interface Connection cable:

Fem connect M12, 5 pol

Interface Connection cable:

2xConnect M12, 4 pol

Length L: 1050 mm



ASK B-M12-5 1000 S-M12-5

Part no. 21.04.05.00158

Connection cable

Interface Connection cable:

Fem connect M12, 5 pol

Cable length: 1000 mm

Interface Connection cable:

Male connect M12, 5 pol

Material: PUR-Cable



ASK B-M12-5 2000 S-M12-5

Part no. 21.04.05.00211

Connection cable

Interface Connection cable:

Fem connect M12, 5 pol

Cable length: 2000 mm

Interface Connection cable:

Male connect M12, 5 pol

Material: PUR-Cable



HUT-SN-KL 70x18x8

Part no. 10.02.02.04149
Top-hat rail clamp comp.
Length L: 70 mm
Width B: 18 mm
Height H: 8 mm
Section type: EN 50022



VFI CN8/6 50

Part no. 10.07.01.00245
Vacuum filter with replaceable filter cartridge
Connection: Hose 8/6 with Cap nut
Filter pore size: 50 µm



GP 3 SCPS 07..15 G2

Part no. 10.02.02.04884
Compressed-air distributor for use as a manifold and for building ejector blocks
Number of connections: 3
Length L: 89.4 mm
Width B: 38 mm
Height H: 34 mm
for: Ejector SCPS 07..15 G2



GP 4 SCPS 07..15 G2

Part no. 10.02.02.04338

Compressed-air distributor for use as a manifold and for building ejector blocks

Number of connections: 4

Length L: 108 mm

Width B: 38 mm

Height H: 34 mm

for: Ejector SCPS 07..15 G2



GP 5 SCPS 07..15 G2

Part no. 10.02.02.04858

Compressed-air distributor for use as a manifold and for building ejector blocks

Number of connections: 5

Length L: 126.6 mm

Width B: 38 mm

Height H: 34 mm

for: Ejector SCPS 07..15 G2



GP 6 SCPS 07..15 G2

Part no. 10.02.02.04837

Compressed-air distributor for use as a manifold and for building ejector blocks

Number of connections: 6

Length L: 145.2 mm

Width B: 38 mm

Height H: 34 mm

for: Ejector SCPS 07..15 G2



ABL-SET SCPS einstufig

Part no. 10.02.02.04216

Exhaust air set

for: Compact ejectors SCPS

Size: einstufig