

Compact ejector

SCPSi 15 G02 NO

Part no.: 10.02.02.04124

<https://www.schmalz.com/10.02.02.04124>



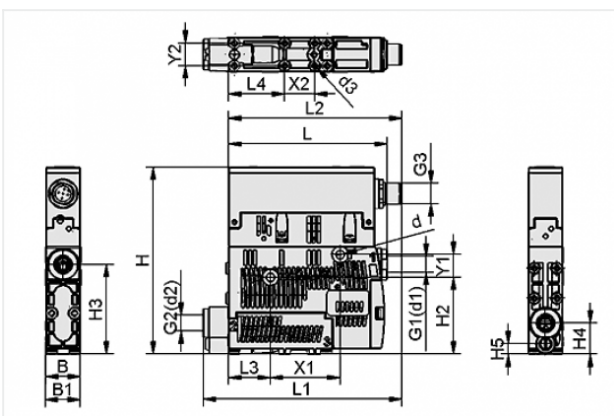
Homepage > Vacuum Technology for Automation > Vacuum Components > Vacuum Generators > Compact Ejectors > Compact Ejectors SCPS / SCPSi > SCPSi 15 G02 NO

Compact ejector



Nozzle size: 1,5 mm
Connection: G1/8"(1)-G1/8"(2)
Suction rate (max): 65.5 l/min
Air consumption (during evac.):
98.5 l/min
Noise level (free): 75 dB
at operating press.: 2.0 ... 6.0 bar
Vacuum (max): -850 mbar
Control: Normally open
with: digital air-saving function
Electrical connection:
Male connect M12, 5 pol
Protection: IP 65 (with plug)

Design Data



Attribute	Value
B	18 mm
B1	18.6 mm
d	4.4 mm
d3	2.6 mm
G1	G1/8"-F
G2	G1/8"-F
G3	M12x1-M
H	99 mm
H2	40.8 mm
H3	47.5 mm

Contact to Schmalz

J. Schmalz GmbH | Johannes-Schmalz-Straße, 72293 Glatten, Deutschland | +49 7443 2403-102 | customercenter@schmalz.de

Attribute	Value
H4	16.5 mm
H5	5.5 mm
L	83.8 mm
L1	105 mm
L2	91.5 mm
L3	22 mm
L4	29.5 mm
X1	36.9 mm
X2	16 mm
Y1	12 mm
Y2	12 mm

Technical Data

Attribute	Value
Nozzle size	1.5 mm
Degree of evacuation	85 %
Suction rate (max)	4.03 m ³ /h
Suction rate (max)	65.5 l/min
Air consumption (during evac.)	6.03 m ³ /h
Air consumption (during evac.)	98.5 l/min
Air consumption (blow off)	7.25 m ³ /h
Air consumption (blow off) (max)	118 l/min
Noise level (free)	75 dB
Noise level (workp. gripped)	65 dB
Pressure range (operating pressure)	2.0 ... 6.0 bar

Contact to Schmalz

Attribute	Value
Weight	0.195 kg
Ambient temperature	0 ... 50 °C
Pressure range (operating pressure)	29.0 ... 87.0 psi
Suction rate (max)	2.313 cfm
Air consumption (during evac.)	3.478 cfm
Air consumption (blow off)	4.267 cfm
Vacuum (max)	-25.1 inHg
Product family	SCPSi

Accessories



ASK B-M12-5 5000

Part no. 21.04.05.00080

Connection cable

Interface Connection cable:

Fem connect M12, 5 pol

Cable length: 5000 mm

Material: PUR-Cable



ASV SMPI/SCPI 2xS-M12-4

Part no. 10.02.02.03490

Connection distributor

for: Ejector SMPI/SCPI

Interface Connection cable:

Fem connect M12, 5 pol

Interface Connection cable:

2xConnect M12, 4 pol

Length L: 1050 mm



ASK B-M12-5 1000 S-M12-5

Part no. 21.04.05.00158

Connection cable

Interface Connection cable:

Fem connect M12, 5 pol

Cable length: 1000 mm

Interface Connection cable:

Male connect M12, 5 pol

Material: PUR-Cable



ASK B-M12-5 2000 S-M12-5

Part no. 21.04.05.00211

Connection cable

Interface Connection cable:

Fem connect M12, 5 pol

Cable length: 2000 mm

Interface Connection cable:

Male connect M12, 5 pol

Material: PUR-Cable



HUT-SN-KL 70x18x8

Part no. 10.02.02.04149

Top-hat rail clamp comp.

Length L: 70 mm

Width B: 18 mm

Height H: 8 mm

Section type: EN 50022



VFI CN8/6 50

Part no. 10.07.01.00245

Vacuum filter with replaceable filter cartridge

Connection: Hose 8/6 with Cap nut

Filter pore size: 50 µm



GP 3 SCPS 07..15 G2

Part no. 10.02.02.04884

Compressed-air distributor for use as a manifold and for building ejector blocks

Number of connections: 3

Length L: 89.4 mm

Width B: 38 mm

Height H: 34 mm

for: Ejector SCPS 07..15 G2



GP 4 SCPS 07..15 G2

Part no. 10.02.02.04338

Compressed-air distributor for use as a manifold and for building ejector blocks

Number of connections: 4

Length L: 108 mm

Width B: 38 mm

Height H: 34 mm

for: Ejector SCPS 07..15 G2



GP 5 SCPS 07..15 G2

Part no. 10.02.02.04858

Compressed-air distributor for use as a manifold and for building ejector blocks

Number of connections: 5

Length L: 126.6 mm

Width B: 38 mm

Height H: 34 mm

for: Ejector SCPS 07..15 G2



GP 6 SCPS 07..15 G2

Part no. 10.02.02.04837

Compressed-air distributor for use as a manifold and for building ejector blocks

Number of connections: 6

Length L: 145.2 mm

Width B: 38 mm

Height H: 34 mm

for: Ejector SCPS 07..15 G2



ABL-SET SCPS einstufig

Part no. 10.02.02.04216

Exhaust air set

for: Compact ejectors SCPS

Size: einstufig