

Compact ejector

SCPS 10 G02 M12-5 NC PNP

<https://www.schmalz.com/10.02.02.04114>



Part no.: 10.02.02.04114

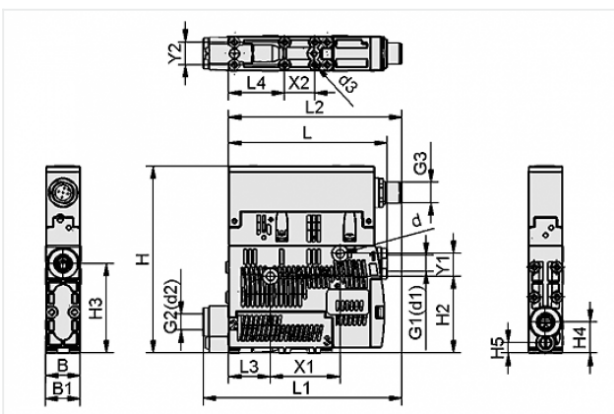
Homepage > Vacuum Technology for Automation > Vacuum Components > Vacuum Generators > Compact Ejectors > Compact Ejectors SCPS / SCPSi > SCPS 10 G02 M12-5 NC PNP

Compact ejector



Nozzle size: 1,0 mm
 Connection: G1/8"(1)-G1/8"(2)
 Electrical connection:
 Male connect M12, 5 pol
 Suction rate (max): 36 l/min
 Air consumption (during evac.):
 46 l/min
 Noise level (free): 73 dB
 Pressure range (operating pressure):
 2.0 ... 6.0 bar
 Vacuum (max): -850 mbar
 Control: Normally closed
 with: digital air-saving function
 Type: Switches to plus
 Protection: IP 65 (with plug)

Design Data



Attribute Value

Attribute	Value
B	18 mm
B1	18.6 mm
d	4.4 mm
d3	2.6 mm
G1	G1/8"-F
G2	G1/8"-F
G3	M12x1-M
H	99 mm
H2	40.8 mm

Contact to Schmalz

J. Schmalz GmbH | Johannes-Schmalz-Straße, 72293 Glatten, Deutschland | +49 7443 2403-102 | customercenter@schmalz.de

Attribute	Value
H3	47.5 mm
H4	16.5 mm
H5	5.5 mm
L	83.8 mm
L1	105 mm
L2	91.5 mm
L3	22 mm
L4	29.5 mm
X1	36.9 mm
X2	16 mm
Y1	12 mm
Y2	12 mm

Technical Data

Attribute	Value
Nozzle size	1 mm
Degree of evacuation	85 %
Suction rate (max)	2.21 m ³ /h
Suction rate (max)	36 l/min
Air consumption (during evac.)	2.85 m ³ /h
Air consumption (during evac.)	46 l/min
Air consumption (blow off)	7.25 m ³ /h
Air consumption (blow off) (max)	118 l/min
Noise level (free)	73 dB
Noise level (workp. gripped)	60 dB

Contact to Schmalz

Attribute	Value
Pressure range (operating pressure)	2.0 ... 6.0 bar
Int. hose diameter (recom.) comp.-air	4 mm
Int. hose diameter (recom.) vacuum side	4 mm
Weight	0.195 kg
Ambient temperature	0 ... 50 °C
Pressure range (operating pressure)	29.0 ... 87.0 psi
Suction rate (max)	1.271 cfm
Air consumption (during evac.)	1.624 cfm
Air consumption (blow off)	4.267 cfm
Vacuum (max)	-25.1 inHg
Product family	SCPS

Accessories



ASK B-M12-5 5000

Part no. 21.04.05.00080

Connection cable

Interface Connection cable:

Fem connect M12, 5 pol

Cable length: 5000 mm

Material: PUR-Cable



ASV SMPI/SCPI 2xS-M12-4

Part no. 10.02.02.03490

Connection distributor

for: Ejector SMPI/SCPI

Interface Connection cable:

Fem connect M12, 5 pol

Interface Connection cable:

2xConnect M12, 4 pol

Length L: 1050 mm



ASK B-M12-5 1000 S-M12-5

Part no. 21.04.05.00158

Connection cable

Interface Connection cable:

Fem connect M12, 5 pol

Cable length: 1000 mm

Interface Connection cable:

Male connect M12, 5 pol

Material: PUR-Cable



ASK B-M12-5 2000 S-M12-5

Part no. 21.04.05.00211

Connection cable

Interface Connection cable:

Fem connect M12, 5 pol

Cable length: 2000 mm

Interface Connection cable:

Male connect M12, 5 pol

Material: PUR-Cable



HUT-SN-KL 70x18x8

Part no. 10.02.02.04149
Top-hat rail clamp comp.
Length L: 70 mm
Width B: 18 mm
Height H: 8 mm
Section type: EN 50022



VFI CN6/4 50

Part no. 10.07.01.00241
Vacuum filter with replaceable filter cartridge
Connection: Hose 6/4 with Cap nut
Filter pore size: 50 µm



GP 3 SCPS 07..15 G2

Part no. 10.02.02.04884
Compressed-air distributor for use as a manifold and for building ejector blocks
Number of connections: 3
Length L: 89.4 mm
Width B: 38 mm
Height H: 34 mm
for: Ejector SCPS 07..15 G2



GP 4 SCPS 07..15 G2

Part no. 10.02.02.04338

Compressed-air distributor for use as a manifold and for building ejector blocks

Number of connections: 4

Length L: 108 mm

Width B: 38 mm

Height H: 34 mm

for: Ejector SCPS 07..15 G2



GP 5 SCPS 07..15 G2

Part no. 10.02.02.04858

Compressed-air distributor for use as a manifold and for building ejector blocks

Number of connections: 5

Length L: 126.6 mm

Width B: 38 mm

Height H: 34 mm

for: Ejector SCPS 07..15 G2



GP 6 SCPS 07..15 G2

Part no. 10.02.02.04837

Compressed-air distributor for use as a manifold and for building ejector blocks

Number of connections: 6

Length L: 145.2 mm

Width B: 38 mm

Height H: 34 mm

for: Ejector SCPS 07..15 G2



ABL-SET SCPS einstufig

Part no. 10.02.02.04216

Exhaust air set

for: Compact ejectors SCPS

Size: einstufig